

## SENSOR OPERATED

## Saniflow E88A



E88A



E88AC



E88ACS



E88AO

### General description

- Saniflow® automatic hand dryer is the rotating nozzle dryer that is most widely used in the world, regardless of the location to be fitted.
- These machines also feature easy maintenance, low noise levels and a high level of user safety. Together with an accurate design of components, SANIFLOW dryers boast the most powerful airflow in the world, which, combined with a comfortable drying temperature, reduces drying times to a minimum.
- With a 1,5 mm. thick steel cover, these hand dryers are available in 5 different finishes (white or black enameled coating, bright, satin and gold plated). These hand dryers are ideal for Heavy traffic Bathrooms.
- Thus, these are proven models with a long durability and complete reliability, with anti-vandalism features and designed to be installed in high traffic of people such as airports, large hotels, sport centers, large recreational areas and large official organizations, among others.

### Components & materials:

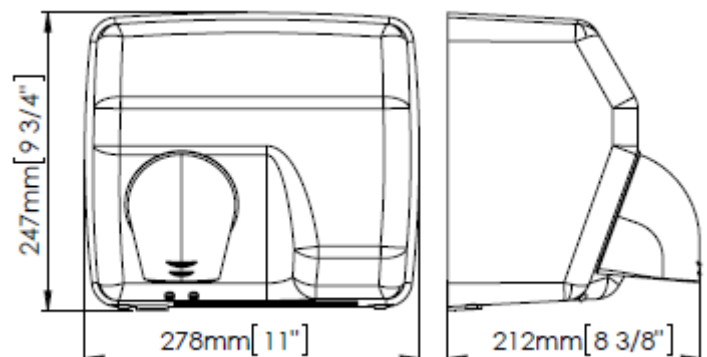
- **E88A:** 1,5 mm. thick steel cover, white enamelled coating finish.
- **E88AC:** 1,5 mm. thick steel cover, bright finish.
- **E88ACS:** 1,5 mm. thick steel cover, satin finish.
- **E88AO:** 1,5 mm. thick steel cover, gold plated finish.
- One-piece steel cover fixed to the base by means of 2 vandal-proof lock screws and lock with special Saniflow® wrench.
- Base in aluminium, 3 mm thick, with 4 Ø 8 mm holes for wall mounting.
- Fire resistant plastic UL 94-VO fan scroll.
- Universal brush motor, 5.500 rpm, F class, which includes a safety thermal cut-off.
- Aluminium centrifugal double symmetrical inlet fan wheel.
- Waved wire NiCr heating element on a mica frame that incorporates a thermal cut-off.
- 360° Nozzle in chrome plated Zamak.
- Electronic detection sensor by infrared beams.
- 4 silent blocks to eliminate vibrations.

### Technical Specifications:

<b>Voltage</b>	220- 240 V
<b>Frequency</b>	50/60 Hz
<b>Electrical Isolation</b>	Class I
<b>Total power</b>	2,250 W
<b>Consumption</b>	10 A
<b>Motor power</b>	250 W
<b>Rpm</b>	5,500
<b>Heating element power</b>	2,000 W
<b>Dimensions</b>	247x278x212 mm.
<b>Weight</b>	5.9 Kg
<b>Cover thickness</b>	1.5 mm
<b>Drying time</b>	29 sec.
<b>Air velocity</b>	100 Km/h
<b>Air temperature (10 cm distance/21°C)</b>	50 °C
<b>Sound pressure (*) (at 2m)</b>	68 dBA
<b>Protection rating</b>	IP23

(\*) According to UNE EN ISO 11201:2010 V2 standard.

### Dimensions:



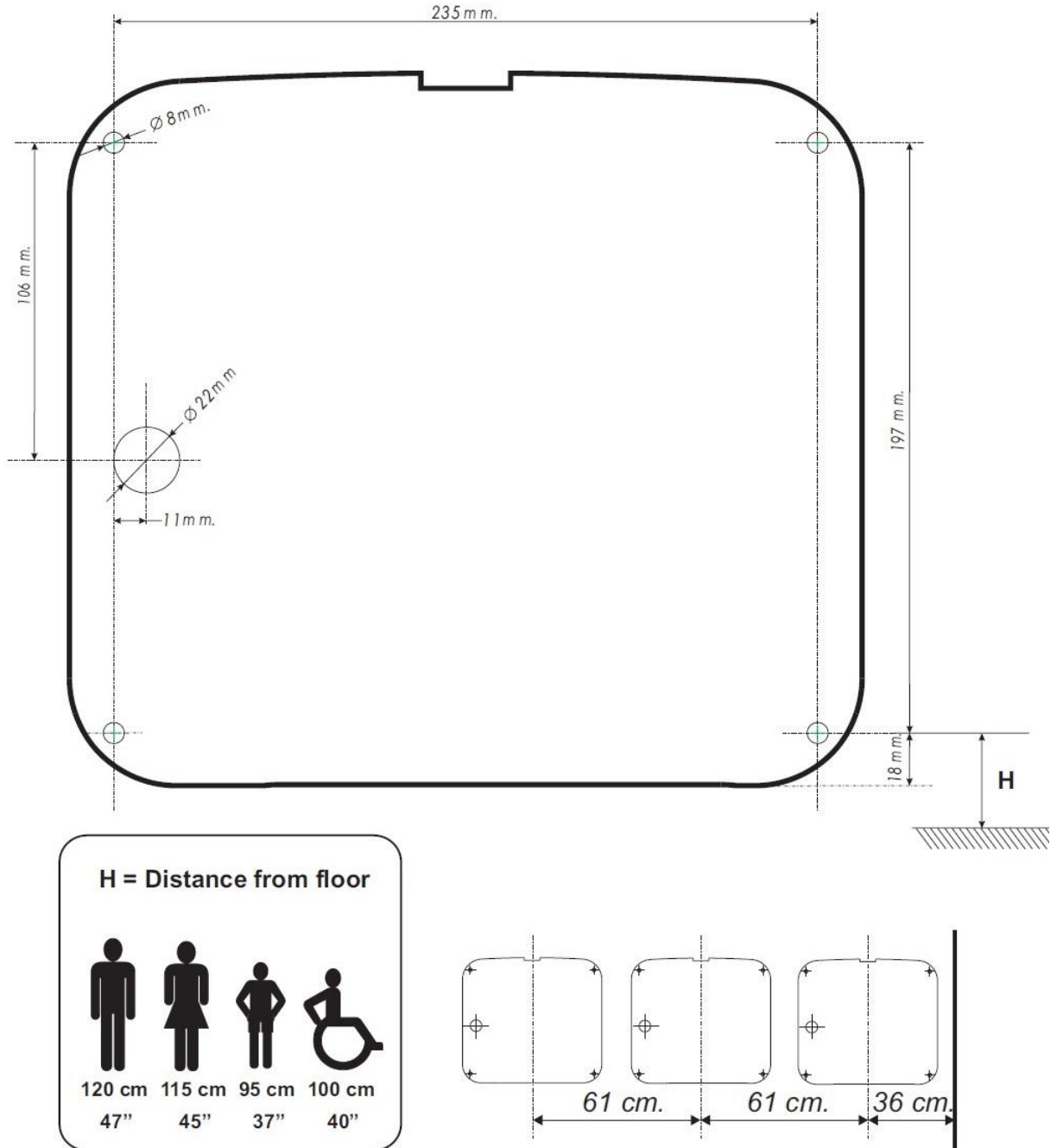
Dim. +/-4%

## Operation

Place the hands under the rotating nozzle. The dryer will start automatically, and go on with no interruption as long as the hands are kept in the detection range of the sensor. The appliance will stop 2 seconds after the hands are removed from the airflow.

## Mounting floor

## Recommended heights distance from the



## Certificates & Qualifications

