

stern

STERN ENGINEERING LTD.



ELECTRONIC LAVATORY FAUCET

EASY 1000 B/E

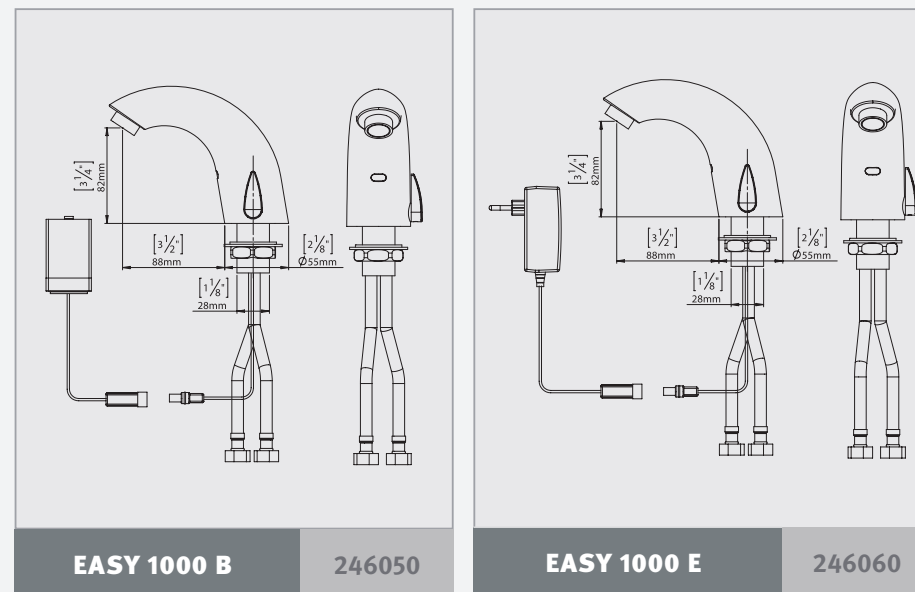
INSTALLATION AND MAINTENANCE GUIDE

INDEX

- 1 TECHNICAL DATA
- 2 PACK CONTENTS
- 3 PRE-INSTALLATION INFO
- 4-6 INSTALLATION
- 7 EASY 1000 WITH TECHNICIAN'S MIXER
- 8-9 SETTINGS ADJUSTMENT with remote control
- 10 BATTERY REPLACEMENT
How to replace the battery at Easy B
- 11 MAINTENANCE
Filters cleaning instructions
Care and cleaning of chrome and special finishes
- 11 SPARE PARTS LIST
- 12 LIMITED WARRANTY
- 13 TROUBLESHOOTING

The information in this document reflects products at the date of printing. Stern Engineering Ltd reserves the right, subject to all applicable laws, at any time, at its sole discretion, and without notice, to discontinue or change the features, designs, materials and other specifications of its products, and to either permanently or temporarily withdraw any of the foregoing from the market. All information in this document is provided "as is" without warranty of any kind, either expressed or implied, including but not limited to any implied warranties of merchantability, fitness for a particular purpose, or non-infringement. Stern Engineering Ltd assumes no responsibility for errors or omissions in the information presented in this document. In no event shall Stern Engineering Ltd be liable for any special, incidental, indirect or consequential damages of any kind, or any damages whatsoever arising out of or in connection with the use or performance of this information. The tradenames, trademarks, logos and service marks presented in this document, including their design, are the property of Stern Engineering Ltd or other third parties and you are not permitted to use them without the prior written consent of Stern Engineering Ltd or such third party as may own them.

TECHNICAL DATA



EASY 1000 B

246050

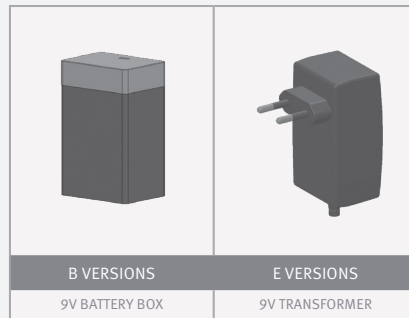
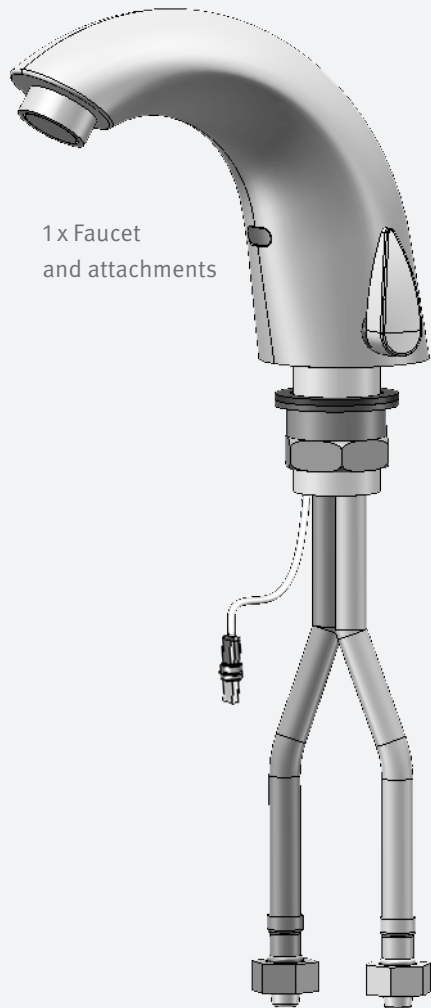
EASY 1000 E

246060

Power supply	9V battery box or 9V switching transformer
Recommended water pressure	0.5-8.0 bar (7-116 PSI) For water pressure of more than 8 bars, use a pressure reducing valve for reduction.
Preset sensor range	180 mm / 7.09" (customizable with optional remote control)
Minimum sensor range	80 mm / 3.15"
Maximum sensor range	300 mm / 11.81"
Security time	90 seconds (can be reduced with optional remote control)
Hot water temperature	Max 70°C

PACK CONTENTS

Familiarize yourself with the part names and confirm that the parts are included.



2 x Filters



1 x Allen Key

PRE-INSTALLATION INFO

CHECK CONTENTS

Separate all parts from the packaging and check each part with the “Pack contents” section.

Pay attention to the different models variations.

Make sure all parts are accounted for before discarding any packaging material.

If any parts are missing, do not attempt to install your electronic faucet until you obtain the missing parts.

WARNINGS

Do not install facing a mirror or any other electronic system operated by an infrared sensor.

To prevent reflection problems, it is recommended to keep a minimum distance of 1.50 meters between the faucet and any other objects.

PREPARATION FOR INSTALLATION

Flush water supply lines thoroughly before installing the faucet. Do not allow dirt, Teflon tape or metal particles to enter the faucet.

Shut off water supply.

IMPORTANT

All plumbing is to be installed in accordance with applicable codes and regulations.

FAUCET INSTALLATION

STEP 1 - REMOVE ALL MOUNTING HARDWARE

Shut off water supply and remove the hexagonal nut, the disk and the gasket. Do not remove the o-ring from the base of the faucet.



STEP 2 - INSTALLING THE FAUCET

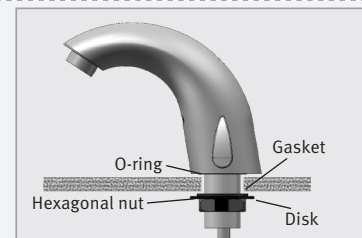
1

Place the faucet with the o-ring into the hole in deck or lavatory. Make sure the o-ring is located between the deck or lavatory and the bottom of the faucet.



2

Under the deck, slide the gasket, disk and hexagonal nut over the flexible hoses and secure the faucet into place.

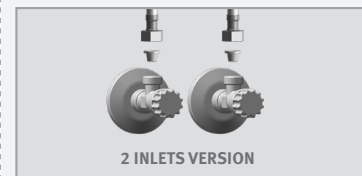


STEP 3 - CONNECTING THE WATER SUPPLY

1

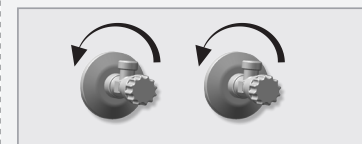
Connect the red flexible pipe to the hot water supply and the blue flexible pipe to the cold water supply.

Make sure the filters are installed between the flexible hoses and the shut off valves (angle valve - not supplied).



3

Turn on the central water supply and the shut-off valve (angle valve) and check for leaks.

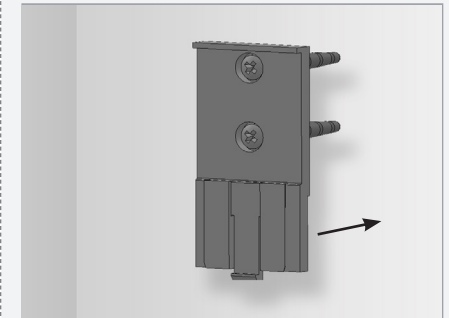


FAUCET INSTALLATION

STEP 4 - CONNECTING THE POWER SOURCE

FOR EASY 1000 B:

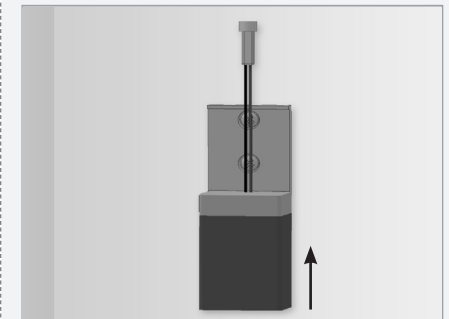
a. Install the battery box slide on holder, on the wall underneath the sink using the two screws and anchors provided.



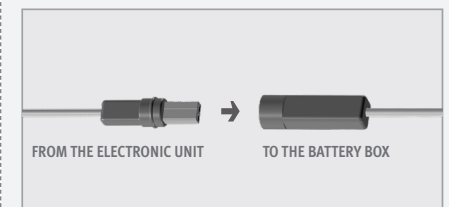
1

b. Slide the battery box on the holder beginning from the bottom upwards.

Note: Make sure the battery box is held firmly in place by the holder.



c. Connect the water proof connector coming from the electronic unit to the battery box.

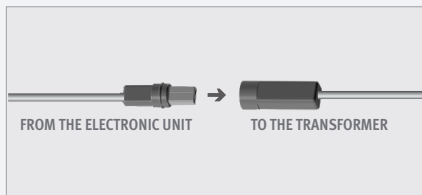


FAUCET INSTALLATION

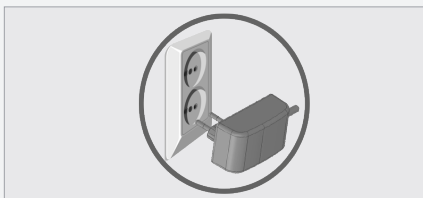
FOR EASY 1000 E:

1

a. Connect the water proof connector coming from the electronic unit to the transformer.



b. Plug the transformer into the electricity socket.



Important: In order to avoid entering into the adjusting mode, wait 10 seconds before operating the system.



2

If the range is unsatisfactory, refer to the section titled "Settings adjustment".

NOTE

This faucet includes a special aerator that allows adjusting the water stream direction on site if needed, in order to prevent water splashing. To change the angle of the water stream, simply move the adjustable tilting plate by pressing it smoothly.



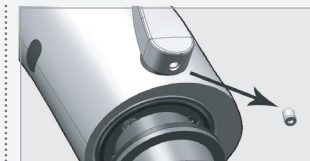
EASY 1000 WITH TECHNICIAN'S MIXER

This model allows removing the mixing handle in order to allow the maintenance staff to adjust the water temperature without giving the same possibility to the end user.

TO REMOVE THE MIXING HANDLE:

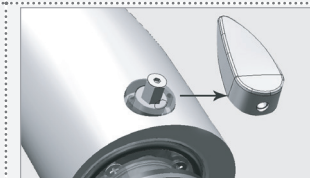
1

Open the Allen screw at the bottom of the mixing handle using the 2mm Allen key provided, and remove the screw



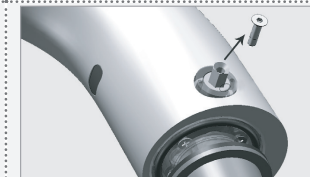
2

Remove the mixing handle



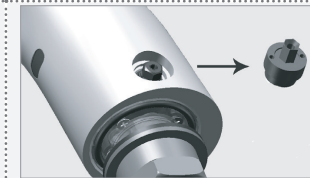
3

Unscrew the Allen screw located in the middle of the mixing handle adaptor



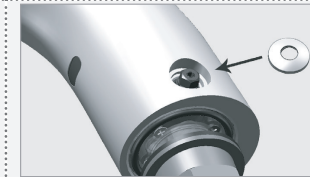
4

Pull out the mixing handle adaptor



5

Assemble the mixing handle cover



6

Assemble the mixing handle Allen screw and tighten it using the 2mm Allen key provided.



SETTINGS ADJUSTMENT



Adjusting the settings with the remote control

If necessary, the sensor settings can be adjusted as following:

Shut off the water supply. In order to adjust the sensor with the remote control, hold the remote control straight in front of the sensor in a distance of about 6-8" (15-20cm). Choose the function you want to adjust by pressing once on one of the function buttons. After pressing once on a specific function button, a quick flashing of the LED at the front of the sensor will occur. At this stage, you can change the setting by pressing the (+) or the (-) buttons, every push will increase or decrease one level. After finishing the adjustment, turn the water supply back on.



DETECTION RANGE: Only if necessary, use the remote control to adjust the sensor range as follows:

Press the RANGE button. Wait until a quick flashing of the LED in the sensor eye is perceived. Then, press + to increase the one level and - to reduce it every push will increase or decrease one level.

NOTE: Once you have changed the detection range with the remote control, this distance will be remembered by the sensor, even if the power source is disconnected.

SETTINGS ADJUSTMENT



DELAY IN TIME: If required, the delay in time can also be modified as follows: Press the IN button. Wait until a quick flashing of the LED in the sensor eye is perceived. Then, press + to increase the delay in time and - to reduce it.



DELAY OUT TIME: This button allows modifying the flushing start time after the user moves away from the product. A delay out time close to 0 will save more water. An increased delay out time will make the user experience more comfortable.

If required, the delay out time can be modified as follows:
Press the OUT button. Wait until a quick flashing of the LED in the sensor eye is perceived. Then, press + to increase the delay out time and - to reduce it.



TEMPORARY OFF FUNCTION: This function is ideal to perform any kind of activity in front of the sensor without operating the system (for example, cleaning).

The product will remain shut for 1 minute when this button is pressed once. To cancel this function and to return to normal operation press the On/Off button again or wait 1 minute.



RESET BUTTON: This function restores all the factory settings except for the sensor range. If required, press the Reset button and without releasing it, press the + button once.



SECURITY TIME: The Security time, prevents continuous flushing of water due to reflections or vandalism. By default, if the sensor is covered for more than 90 seconds the water flow will shut automatically. To resume regular operation any obstruction must be removed.

Press the SEC button. Wait until a quick flashing of the LED of the sensor eye is perceived. Then, press + to increase the security time and - to reduce it.



24 HOUR HYGIENE FLUSH: This model includes a 24 hours hygiene flush which is disabled. To activate the hygiene flush, press the clock button. Wait until a quick flashing of the LED in the sensor eye is perceived. Then press + to activate the hygiene flush. To disable it again, press - to deactivate it.

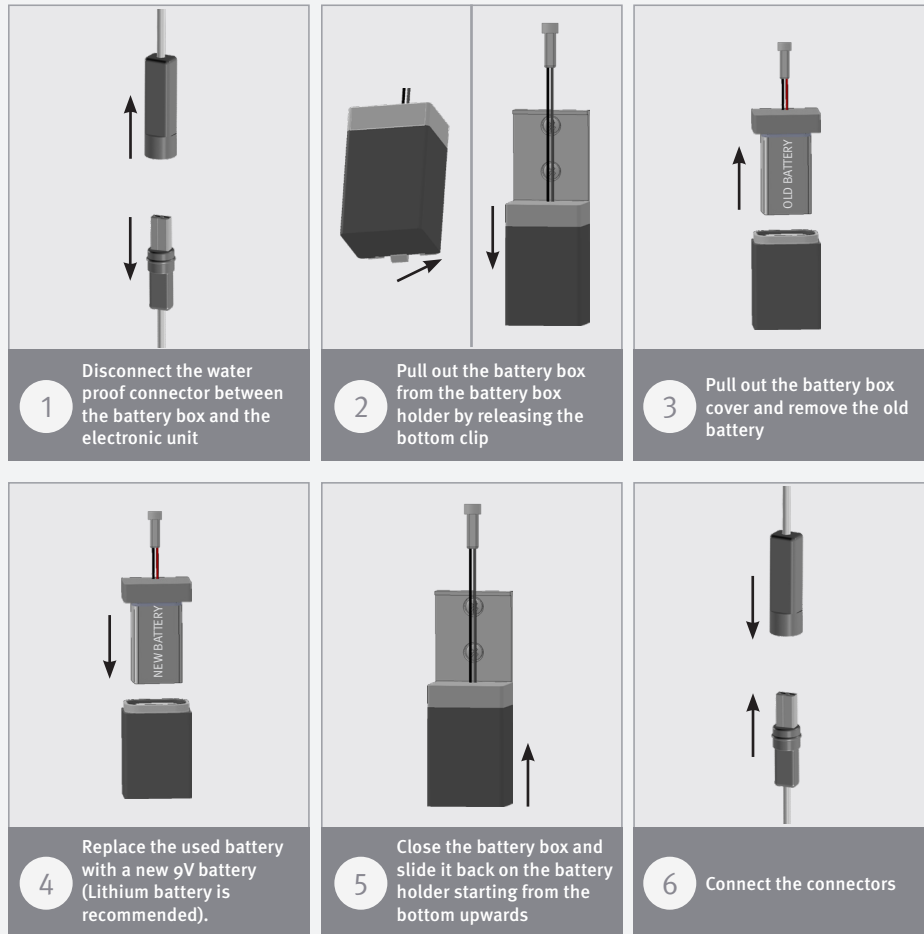


COMFORT FLUSH: If your model includes a COMFORT FLUSH setting, it can be activated by pressing the flush button.

When the button is pressed, one blink of the blue in the sensor eye is perceived. The pre-programmed flush cycle will take place then. The Comfort flush cannot be interrupted or deactivated by pressing any button until it is over.

BATTERY REPLACEMENT

When the battery weakens, the LED indicator light will blink at a constant rate when the user's hands are within the sensor range. The battery must be replaced within two weeks.



IMPORTANT:

Spent batteries should not be disposed of with normal household waste. Contact your local authority for information on waste disposal and recycling.



MAINTENANCE

FILTER CLEANING INSTRUCTIONS

This faucet is provided with two stainless steel filters preventing foreign particles to enter the lines. It is recommended to clean the filters every six (6) months. If the water flow has decreased, this can be because the filters are clogged. The filters can be cleaned as follows:

1. Shut-off the water shut off valve (angle valve).
2. Remove the filters located between the flexible hoses and the shut off valves.
3. Wash the filters under running water.
4. Reassemble the parts.
5. Make sure that there is no water leakage.

CARE AND CLEANING OF CHROME AND SPECIAL FINISHES

DO NOT use steel wool or cleansing agents containing alcohol, acid, abrasives, or the like. Use of any prohibited cleaning or maintenance products or substances could damage the surface of the faucet. For surface cleaning of faucet use ONLY soap and water, then wipe dry with clean cloth or towel. When cleaning bathroom tile, the faucets should be protected from any splattering of harsh cleansers.

SOLENOID VALVE SERVICING

The solenoid valve diaphragm requires periodical cleaning every six (6) months.

Remove the diaphragm from the solenoid valve and examine it for dirt. In case it is dirty or clogged, wash it under running water and reassemble it.

Do not attempt to dismantle the solenoid valve if you are unfamiliar with electronic solenoid valves.

SPARE PARTS LIST

SEALS AND SCREWS KIT	07210033
SENSOR KIT 10-PACK	08004501
SOLENOID VALVE KIT 10-PACK	07232000
INSERT	07240030
HANDLE KIT	07260004
HANDLE LINK KIT	07260022
IP67 9V BLACK BATTERY BOX	06530080
SWITCHING TRANSFORMER 12-PACK	06540002
REMOTE CONTROL 13B (OPTIONAL)	07100005
S&W REMOTE CONTROL (OPTIONAL)	07100014

LIMITED WARRANTY

Y. Stern Engineering Ltd. warrants that its electronic products will be free of defects in material and workmanship during normal use for two years from the date the product is purchased.

If a defect is found in normal use, Y. Stern Engineering Ltd. will, at its discretion, repair, provide a replacement part or product, or make appropriate adjustments. Damage caused by accident, misuse, or abuse is not covered by this warranty. Improper care and cleaning will void the warranty. Proof of purchase (original sales receipt) must be provided to Stern Engineering Ltd. with all warranty claims.

Stern Engineering Ltd is not responsible for labor charges, installation, or other incidental or consequential costs other than those noted above. In no event shall the liability of Stern Engineering Ltd. exceed the purchase price of the product.

If you believe that you have a warranty claim, contact your Stern Distributor, Dealer or Plumbing Contractor. Please be sure to provide all pertinent information regarding your claim, including a complete description of the problem, the product, model number, the date the product was purchased, from whom the product was purchased and the installation date. Also include your original invoice.

Y. STERN ENGINEERING AND/OR SELLER DISCLAIM ANY LIABILITY FOR SPECIAL, INCIDENTAL OR CONSEQUENTIAL DAMAGES. This warranty excludes product damage due to installation error, incorrect maintenance, wear and tear, battery, product abuse, or product misuse, whether performed by a contractor, service company, or the consumer. This warranty does not cover product damage caused by the following:

- Incorrect installation.
- Inversions of supply pipes.
- Pressures or temperatures exceeding recommended limits.
- Improper manipulation, tampering, bad or lapsed maintenance.
- Foreign bodies, dirt or scale introduced by the water supply or soap tank.
- Use of the soap outside of viscosity specifications.
- Alteration of the original soap/foam dispenser components (including pipes).

TROUBLESHOOTING

PROBLEM	INDICATOR	CAUSE	SOLUTION
No water coming out of the faucet:	1. Sensor flashes continuously when user's hands are within the sensor's range.	Low battery.	Replace battery
	2. LED in the sensor does not flash once when user's hands are within the sensor's range.	1. Range is too short.	Increase the range
		2. Range is too long.	Decrease the range
3. LED in the sensor flashes once when user's hands are within the sensor's range.	3. Battery is completely used up	The battery must be replaced.	
	4. Unit is in "Security Mode"		
	5. Sensor is picking up reflections from the washbasin or another object.	Eliminate cause of reflection.	
	1. Connectors between the electronic unit and solenoid are disconnected.	Connect the electronic unit connectors to the solenoid.	
		2. Debris or scale in solenoid.	Unscrew solenoid, pull out the plunger and the spring from the solenoid and clean them. Use scale remover material if needed. When replacing the plunger, please make sure that the spring is in vertical position.
4. The water supply pressure is higher than 8 bar.	3. The central orifice in the diaphragm is plugged or the diaphragm is torn	Clean the orifice or replace diaphragm.	
	4. The water supply pressure is higher than 8 bar.	Reduce the supply water pressure.	
	5. The water supply pressure is under 8 bars and yet the pressure in the faucet's body is higher. This situation could be caused by a sudden increase in the water supply pressure that the back check prevents from dropping, even after water supply pressure drops under 8 bars.	Shut off water supply and unscrew one of the flexible pipes in order to reduce the pressure that blocks the product.	
Water flow from spout does not stop:	1. Sensor flashes once when user's hands are within the sensor's range.	Debris or scale in diaphragm	Clean the orifice or replace diaphragm.
	2. LED in the sensor does not flash once when user's hands are within the sensor's range.	1. Sensor is dirty or covered.**	Clean or eliminate cause of interference.
		2. Sensor is picking up reflections from the washbasin or another object.	Decrease the range or eliminate cause of reflection.
Water flow diminished		Filter or aerator is clogged	Remove, clean, re-install

* "Security Mode": If the sensor is covered for more than 90 sec. the faucet will automatically shut off water flow. To return to normal operation remove any blockage.

** In this case, the water flow will stop anyway after 90 seconds because of the security time.

STERN

STERN ENGINEERING LTD.

15 Gan Rave Blvd., 81222 Gan Rave, Yavne, Israel
Tel: 972-8-9326000, Fax: 972-8-9326025, export@sternfaucets.com
www.sternfaucets.com



03.20 01500421-B