



FA0120CS
Satin finish



FA0220CS
Satin finish

General description

- Non-refrigerated floor standing mounted water fountain with connection to the drinking water mains, made of bacteriostatic stainless steel AISI 304, 0.8 mm thick, satin finish.
- Ideal solution for public spaces such as waiting rooms, schools, universities, shopping centers, airports, sport facilities, factories, etc. Model suitable for public use with high strength and durability.
- Easily connected to the water mains, it provides a constant supply of water at room temperature.
- Designed to offer maximum hygiene and easy maintenance, this water drinking fountain feature softly rounded corners and a contoured bowl designed to minimize splashing.
- Supplied with a heavy-duty bubbler tap: chrome-plated, instant shut-off and adjustable flow rate, inlet M3/8".
- Flat perforated waste, without screws: easy to clean and vandal-resistant.
- Recessed vertical water outlet. Waste outlet 1 1/4".
- Supplied with fixing elements.

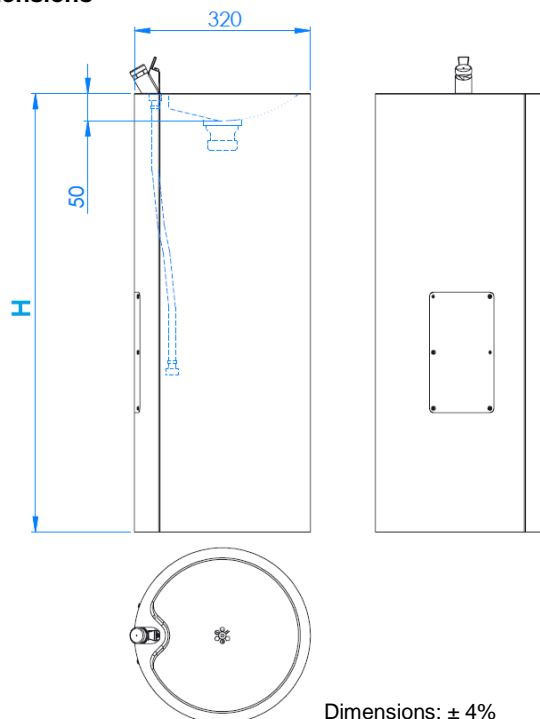
Components and materials

- **FA00120CS:** floor standing mounted water fountain, 800mm height, made of AISI 304 stainless steel, 0.8 mm thick, satin finish.
- **FA00220CS:** floor standing mounted water fountain, 915mm height, made of AISI 304 stainless steel, 0.8 mm thick, satin finish.
- **BODY:** manufactured in stainless steel AISI 304, 0.8 mm thick, satin finish.
- **BOWL:** made of AISI 304 stainless steel, embedded directly into the body of the fountain. It has a perforated flat drain, without screws, easy to clean and resistant to vandalism.
- **FAUCET BUBBLER:** with a manual push button, it is made of chrome-plated brass.
- **SERVICE DOOR:** made of AISI 304 stainless steel, 0.8 mm thick, satin finish.

Technical specifications

Dimensions	$\varnothing 320 \times 800 \text{ mm}$
Stainless Steel thickness	0.8 mm
Waste outlet	Vertical 1 1/4"
Water inlet	M3/8"
Net weight	9.0 Kg (FA0120CS) 9.6 Kg (FA0220CS)

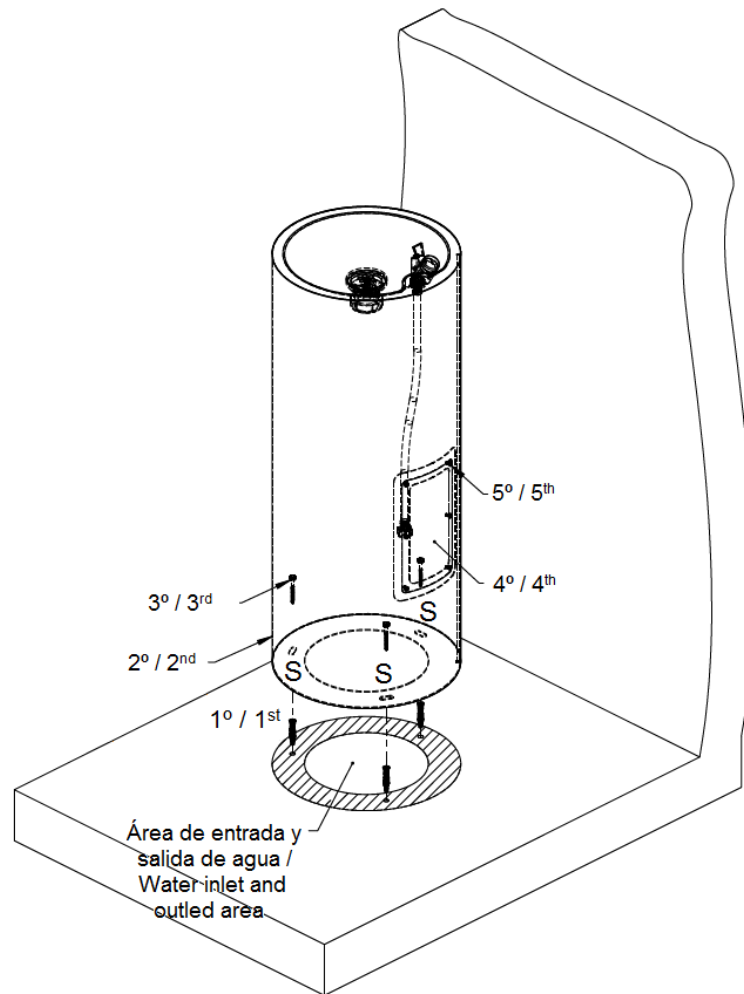
Dimensions



CODE	H (mm)
FA0120CS	800
FA0220CS	915

Mounting

Install the water fountain to the ground using the most appropriate screws, taking into account floor type where it will be installed. Carry out it through the corresponding holes, located in the lower part of the fountain (points indicated by an "S" in the figure below) and following the established order.



Mediclinics, S.A., reserves the right to make changes and/or modifications to the products and their specifications without prior notice
Review 03-21 © mediclinics S.A.

