

### SANITARY NAPKIN DISPOSAL BINS

### With closing lid



**PP0006**  
White finish



**PP0006B**  
Matte black finish



**PP0006C**  
Bright finish



**PP0006CS**  
Satin finish

#### General description

- Sanitary napkin disposal bin with lid, 6 L of capacity, wall mounted or floor standing.
- Robust and vandal-resistant.
- Suitable for very high traffic facilities.
- Model suitable for public use.
- Perfectly fits into small and tight spaces

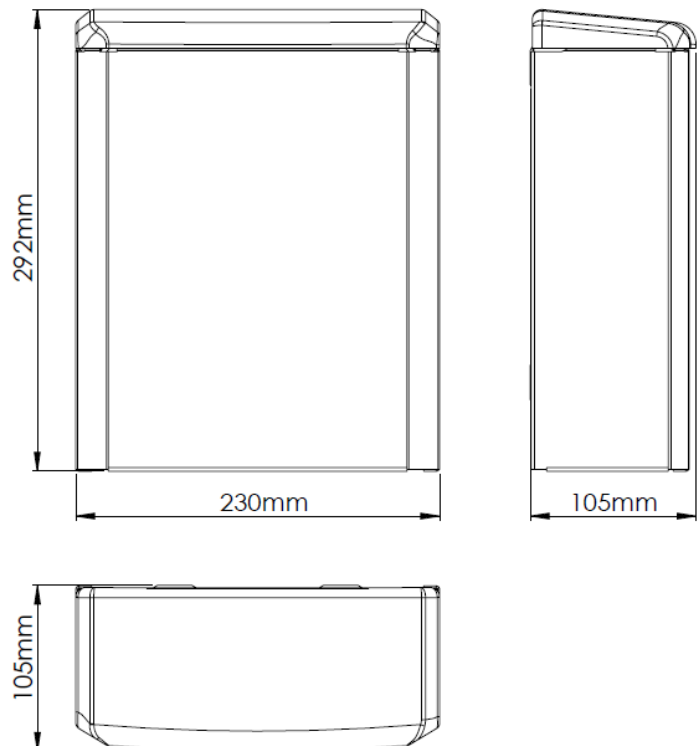
#### Components and materials

- **PP0006:** steel white Epoxy finish body and lid, 0.8 mm thick.
- **PP0006B:** steel matte black Epoxy finish body and lid, 0.8 mm thick.
- **PP0006C:** stainless steel AISI 304 body and lid, bright finish, 0.8 mm thick.
- **PP0006CS:** stainless steel AISI 304, satin finish body and lid, 0.8 mm thick.
- **CONTAINER:** 0.8 mm thick, all welded construction with front curvature matching other Mediclinics washroom accessories.
- **LID:** 0.8 mm thick, seamless one-piece manufactured. It protrudes 3.5 mm of the body to ease the opening. Attached to the body by means of two semi-axes that permit the lid rotation.
- **BACK PLATE:** 0.8 mm thick with two press-formed slot holes for wall mounting.

#### Technical specifications

<b>Dimensions</b>	292x230x105 mm
<b>Capacity</b>	6 L
<b>Body and lid thickness</b>	0,8 mm
<b>Weight (empty)</b>	1.5 Kg

#### Dimensions



Dimensions: ± 4%

---

## Operation

---

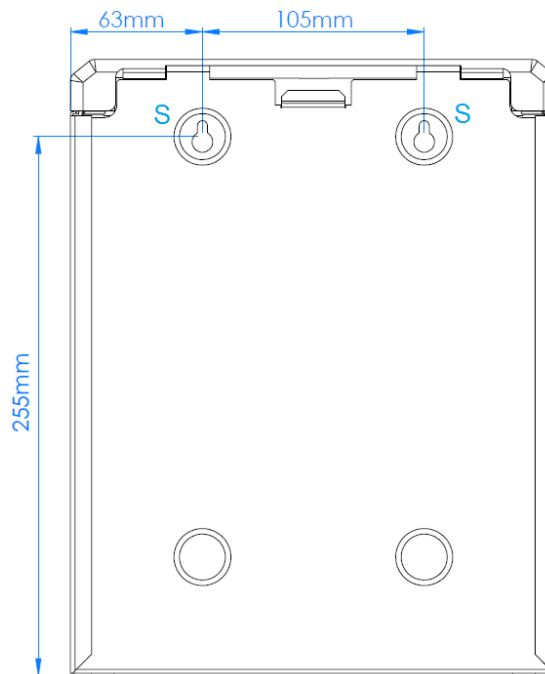
Lid opens for removal of waste.

---

## Mounting template

---

Fix the sanitary napkin disposal bin on the wall using the provided screws through the mounting back-plate holes (points indicated by an "S" in the bottom figure).



---

Mediclinics, S.A., reserves the right to make changes and/or modifications to the products and their specifications without prior notice  
Review 05-19 © mediclinics S.A.

