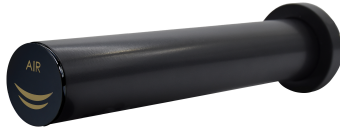




## HAND WASHING AND DRYING UNITS ALL-IN-ONE

FOR WALL MOUNTING

Hand dryer + Soap Dispenser and Water tap



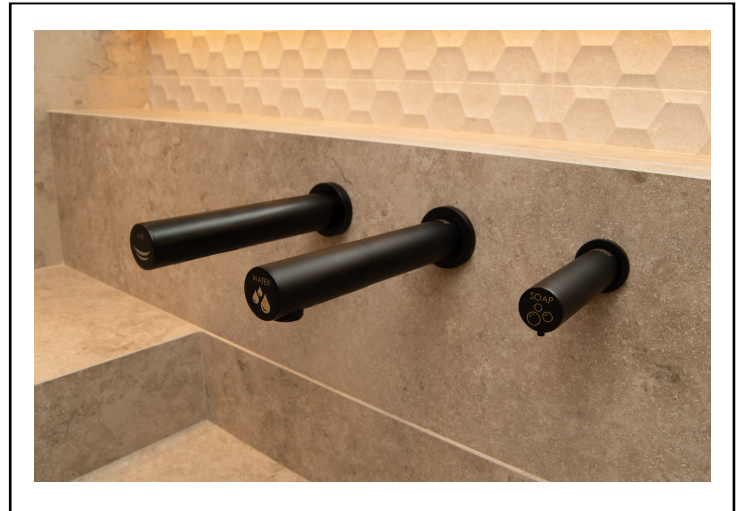
**Automatic Hand Dryer: M093AB**  
Matte Black Finish



**Automatic Water tap: GA003AB**  
Matte Black Finish



**Automatic Soap Dispenser: DJ003AB**  
Matte Black Finish



**Joint Code: UCM093AB**

### General Description

- The Mediclinics® All-in-One is an integrated wall-mounted hand washing and drying unit composed of three elements: an automatic hand dryer, an automatic water faucet, and an automatic soap dispenser.
- The Mediclinics® All-in-One is designed to prevent water splashes on the bathroom floor, save space, and reduce time spent in the restroom.
- Designed with aesthetics and performance in mind, Mediclinics® All-in-One solutions are pure elegance and efficiency. Their sleek design, clean lines, elegant curves, and high functionality break all established paradigms in terms of design and functionality.
- Mediclinics® All-in-One solutions are environmentally friendly and save more than 73% in terms of cost savings compared to similar solutions on the market.
- All-in-One is highly hygienic as it incorporates a HEPA filtering medium and can optionally include "Ion Hygienic®" technology that cleans and purifies the air.

### Components

- **AUTOMATIC HAND DRYER (M093AB):** Based on one of our most successful hand dryers, the Machflow Plus M09A, this wall-mounted hand dryer is capable of drying hands in just 10 seconds thanks to a pleasant blast of air that can reach speeds of up to 400 km/h. The faucet is made of chrome-plated brass, with a matte black finish.
- **AUTOMATIC WATER TAP (GA003AB):** Designed to be wall-mounted, this automatic water faucet is made of chrome-plated brass, with a matte black finish.
- **AUTOMATIC SOAP DISPENSER (DJ003AB):** Made of chrome-plated brass, with a matte black finish. It features a soap dosage regulation system ranging from 0.5 ml to 2 ml.

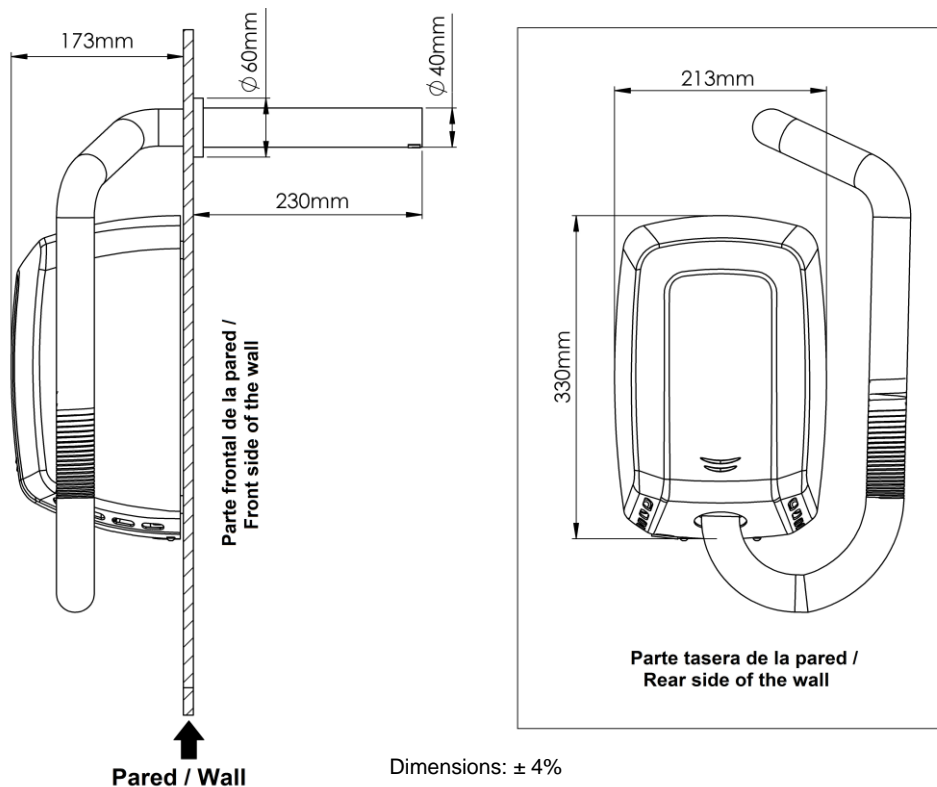
## Automatic Hand Dryer (M093AB)

- This hand dryer can operate together with the automatic water faucet GA003AB and the automatic soap dispenser DJ003AB, or it can also operate independently. Mounted on the wall, it makes hand drying easier and faster for the user.
- The Machflow Plus M09A is the heart of Mediclinics' All-In-One solutions. It provides a warm and powerful air stream that offers a pleasant user experience, with drying times of 10 seconds.
- Being mounted on the same sink ensures that all wastewater goes into the sink and not onto the floor, maintaining a more hygienic and clean bathroom while also preventing possible slips, a very common cause of accidents.

### Technical Specifications

<b>Voltage:</b>	220- 240 V	<b>Housing Thickness</b>	1,5 mm
<b>Frequency</b>	50/60 Hz	<b>Drying Time:</b>	10-15"
<b>Insulation</b>	Clase I	<b>Air Speed</b>	190 – 400 Km/h
<b>Total Power</b>	420 – 1.500 W	<b>Air Temperature (at 10 cm distance and 22° C)</b>	42 °C
<b>Consumption:</b>	3,2 –6,4 A	<b>Sound Pressure (at 2m)</b>	67-72 dBA
<b>Standby Consumption:</b>	0,3 W	<b>IP Rating</b>	IP23
<b>Motor Power</b>	420 – 1.100 W	<b>HEPA Filter</b>	Yes (serial)
<b>Rpm</b>	19.000 – 30.000	<b>Plug-in sistem</b>	Optional
<b>Resistance Power:</b>	400 W (switch "ON/OFF")	<b>Ionizer</b>	Optional
<b>Safety Shutdown</b>	60"	<b>Deodorant Balls</b>	Optional
<b>Dimensions</b>	330x213x170 mm		

### Dimensions



---

## Automatic Water Tap (GA003AB)

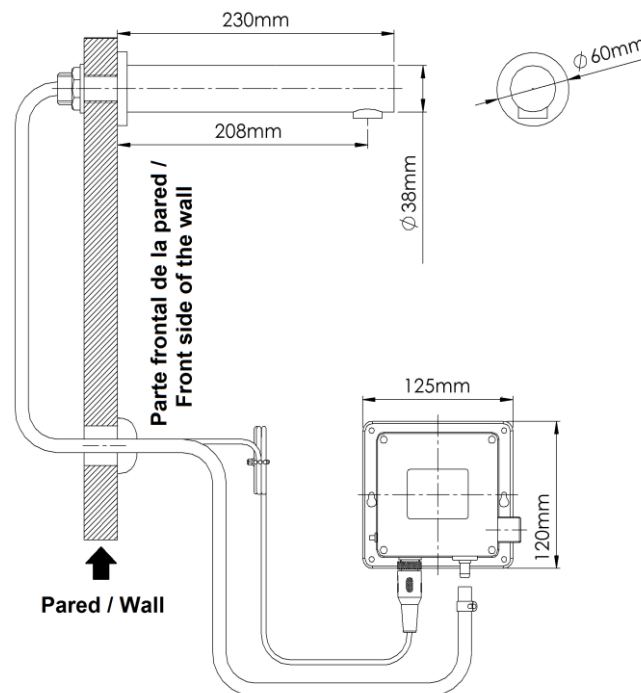
---

- Automatic faucet, made with chrome-plated brass tube, matte black finish.
- Automatic detection of hands through infrared sensors that prevent user contact with the soap dispenser, eliminating the possibility of cross-contamination by contact and optimizing water consumption.
- Effective detection range of the sensor from 5-25 cm.
  
- The faucet can operate with a 220-240 V (AC) power adapter or with 4 AA 1.5 V (DC) batteries..

### Technical Specification

<b>Voltage (transformer)</b>	220-240V – 50/60Hz
<b>Water Intel pressure</b>	0,5 – 8 bars
<b>Water flow rate (at 3 bar)</b>	5,0 L/min
<b>Battery Life (4xAA)</b>	108.000 cycles
<b>Detection Range</b>	5-25 cm
<b>Safety Shutdown</b>	60"

### Dimensions



Dimensiones: ± 4%

---

## Automatic Soap Dispenser (DJ003AB)

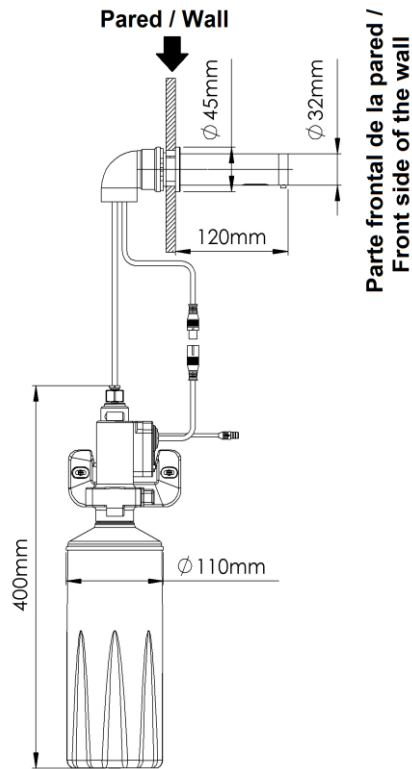
---

- Wall-mounted automatic soap dispenser, made with chrome-plated brass tube, matte black finish.
- The soap is contained in a 1.5L capacity plastic bottle, easy to remove for refilling, and is dispensed through a high-resistance anti-drip valve.
- The soap dosage can be adjustable between 0.5 mm and 2 ml, in doses of 0.5, 1.0, 1.5, or 2.0 ml.

### Technical Specification

<b>Voltage (transformer)</b>	220-240V – 50/60Hz
<b>Battery Life</b>	60.000 ciclos
<b>Detection range</b>	5-25 cm
<b>Recommended soap viscosity:</b>	100 – 3.500 cps
<b>Soap dosage:</b>	0,5; 1,0; 1,5 o 2.0 ml

## Dimensions

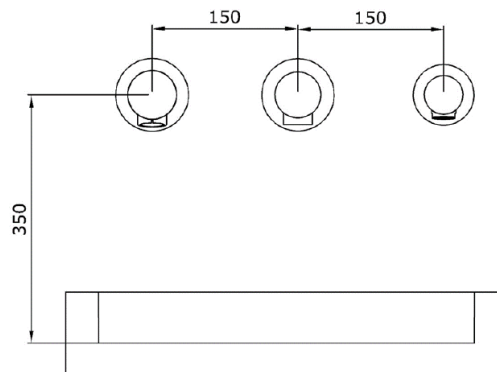


Dimensiones:  $\pm 4\%$

## OPERATION

## RECOMMENDED INSTALLATION HEIGHTS

A sink that allows for the installation of the All-in-One should be used, as shown in the following diagram.



The sink must have a depth of at least 120mm, with vertical walls and edges that are not excessively rounded to prevent splashing.

## CERTIFICATIONS AND HOMOLOGATIONS



(\*) The certifications CB Scheme, GS and EMC are only valid for hand dryers.

Mediclinics, S.A., have the rights to make changes and modifications in the products and the specifications without previous notice.

Revision 03-24

© mediclinics S.A.

