

Wash basin

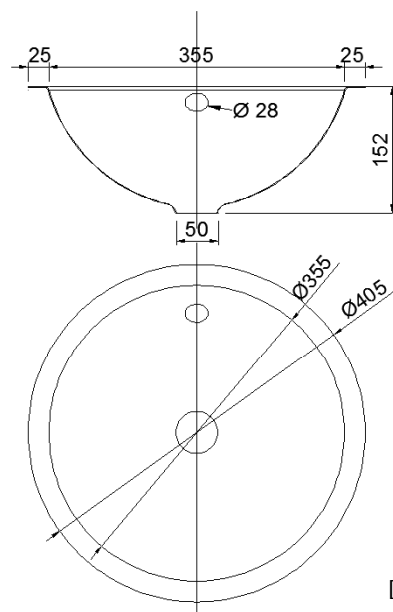

- Wash basin in AISI 304 stainless steel.
- Polish finish. Also available in satin finish (NOFER 13030.RS.PLANA).
- To install under the countertop, or to weld to a stainless steel countertop.
- With overflow hole \varnothing 28 mm.
- Drainage valve, grating and overflow trap are optional.

TECHNICAL DATA

- Made of AISI 304 stainless steel.
- Dimensions: \varnothing int. 355 mm, \varnothing ext. 405 mm, 152 mm high.
- Maintenance: stainless steel needs maintenance because dust can eventually damage the chrome in AISI 304 stainless steel. We recommend monthly cleaning with our special product.

SUGGESTED TEXT FOR PRESCRIPTION

NOFER or similar wash basin, in AISI 304 stainless steel, polish finished. To install under the countertop, or to weld to it.
 Dimensions: \varnothing int. 355 mm, \varnothing ext. 405 mm, 152 mm high.

TECHNICAL DRAWING


Dimensions in mm



NOFER S.L.
 Avenida de la fama, 118
 08940 · Cornellà de Llobregat (Barcelona)
 Tel +34 934 742 423 · Fax +34 934 743 548
 export@nofer.com · www.nofer.com

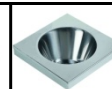
Related Products



13037.B



13036.A.S



13039.A.S



13033.S



13048.S



13097.B