

SEATS

Folding seat with floor support



AM0251C
Bright finish



AM0251CS
Satin finish

General description

- Folding seat with floor support made of stainless steel AISI 304, satin or bright finish.
- Suitable to achieve barrier-free accessibility in bathrooms and public spaces. It can be installed inside the shower.
- Highest durability and rusting resistance. Easy cleaning.
- Designed to withstand a maximum load of 120 kg, provided it is properly mounted to the wall.
- Opening system that unfolds the seat support by swinging the seat down.
- Fulfils the requirements of the EN 16139 standard ("Furniture – Strength, durability and safety – Requirements for non-domestic seating").

Components & materials

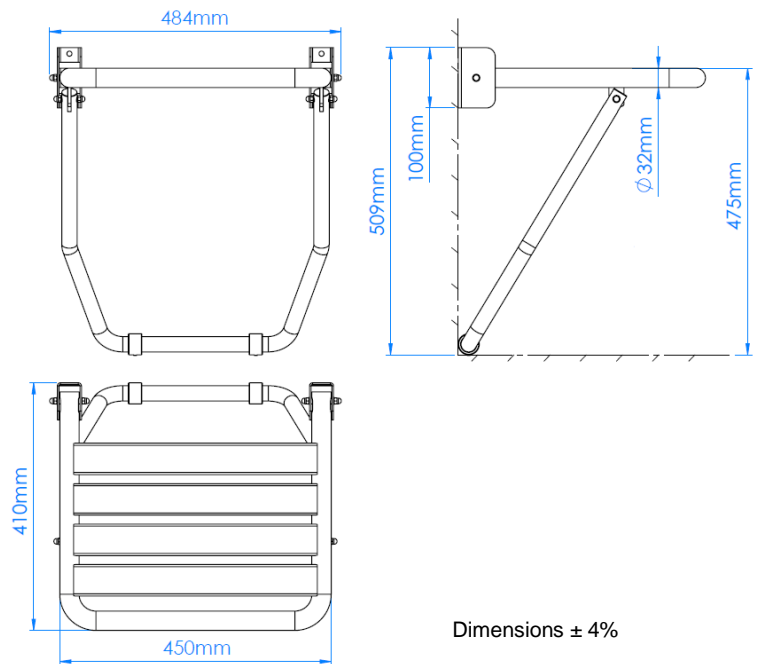
- AM0251C:** folding seat made of stainless steel AISI 304, bright finish.
- AM0251CS:** folding seat made of stainless steel AISI 304, satin finish.
- SEAT SLOTS:** 4 for water drainage made of stainless steel AISI 304, 1.7 mm thick.
- SEAT FRAME:** made of stainless steel AISI 304 tube \varnothing 32 mm and 1.5 mm thick with rounded corners for maximum safety.
- FLOOR SUPPORT:** made of stainless steel AISI 304 tube \varnothing 25 mm and 1.0 mm thick.
- WALL BRACKETS:** 2 made of stainless steel AISI 304, 2.6 mm thick, fixed to the tub with one shaft, made of stainless steel as well, diameter 10 mm and metric 6 mm in both terminals.

Technical Specifications

Seat frame tube diameter	\varnothing 32 mm
Seat slot thickness	1.7 mm
Floor support thickness	1.5 mm
Max. Supported load (*)	120 kg
Maximum force supported (*)	1,177 N

(*)Properly mounted to the wall.

Dimensions



OPERATION

Shower seat can be folded up against the wall and out of the way when not in use. Adjust manually the position of the folding seat when needed.

MOUNTING

430-510 mm from the ground to the top of the seat.

RECOMMENDED HEIGHTS DISTANCE FROM THE FLOOR

Mediclinics, S.A., reserves the right to make changes and/or modifications to the products and their specifications without prior notice.
Review 06-18 © mediclinics S.A

