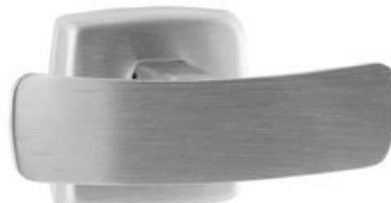


MEDISTEEL

Double robe hook



AI0036C
Bright finish



AI0036CS
Satin finish

General Description

- Surface mounted double robe hook, bright or satin finished, made in stainless steel AISI 304.
- The stainless steel AISI 304 construction protects the product against rust and ensures quality and longevity.
- Model suitable for the hotel sector, elderly centers, homes and for collectivities.

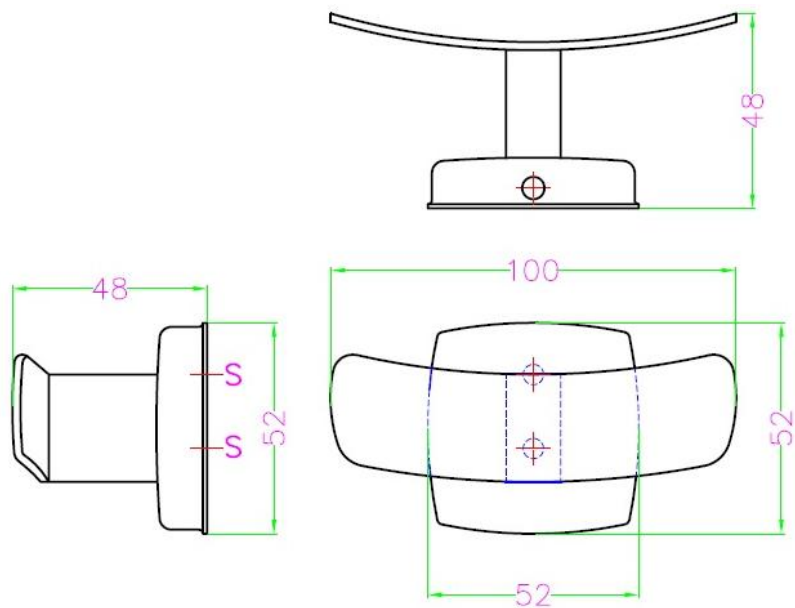
Components & materials

- **AI0036C:** AISI 304 stainless steel, bright finish.
- **AI0036CS:** AISI 304 stainless steel, satin finish.
- **FLANGE AND POST:** made in stainless steel AISI 304, 0.8 mm thick. It has a concealed 1.6 mm stainless steel mounting bracket. All-welded construction. A stainless steel lock screw, at the bottom perimeter of flange, is used to lock the unit to the wall mounting plate. The mounting plate is secured to wall with two provided stainless steel screws.
- **CAP:** ergonomic, made in stainless steel AISI 304, 3.6 mm thickness. Welded to the support arm.
- Screws and plugs for installation to the wall are provided.

Technical Specifications

General dimensions	52 x 100 x 48 mm
Cap thickness	3.6 mm
Flange and support arm thickness	0.8 mm
Wall plate thickness	1.6 mm

Dimensions



Dimensions: ±4%

MOUNTING

Fix the wall mounting plate on the wall using the provided screws through the mounting plate holes (points indicated by an "S" in the upper figure).

Hang post and flange assembly on mounting plate and tighten the lock screw to lock unit to plate.

