

Wash basin

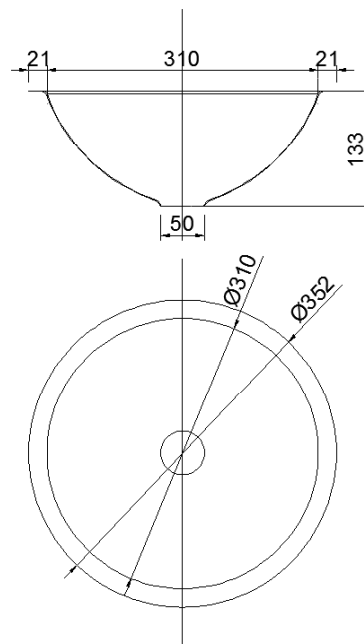
- Wash basin in AISI 304 stainless steel.
- Polish finish. Also available in satin finish (NOFER 13029.S.PLANA).
- To install under the countertop, or to weld to a stainless steel countertop.
- Without overflow hole.
- Drainage valve, grating and overflow trap are optional.

TECHNICAL DATA

- Made of AISI 304 stainless steel.
- Dimensions: Ø int. 310 mm, Ø ext. 352 mm, 133 mm high.
- Maintenance: stainless steel needs maintenance because dust can eventually damage the chrome in AISI 304 stainless steel. We recommend monthly cleaning with our special product.

SUGGESTED TEXT FOR PRESCRIPTION

NOFER or similar wash basin, in AISI 304 stainless steel, polish finished. To install under the countertop, or to weld to it.
Dimensions: Ø int. 310 mm, Ø ext. 352 mm, 133 mm high.

TECHNICAL DRAWING


Dimensions in mm



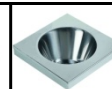
NOFER S.L.
Avenida de la fama, 118
08940 · Cornellà de Llobregat (Barcelona)
Tel +34 934 742 423 · Fax +34 934 743 548
export@nofer.com · www.nofer.com

Related Products


13037.B



13036.A.S



13039.A.S



13033.S



13048.S



13097.B