



## Stainless steel toilet brush holder. Shiny finish

### Description

- Stainless steel floor standing toilet brush holder.
- Stainless steel sheet with glossy finish.
- Also available in satin finish (NOFER 09078.S) and black finish (NOFER 09078.N).
- Suitable for public areas.
- Resistance and durability.

### Suggested text for prescription

NOFER floor standing toilet brush holder, made of stainless steel, glossy finish.  
Dimensions: 252 high (with handle 382 high) x Ø105 (mm).

### Technical characteristics

**Material:** Stainless steel

**Finishing:** Brightness

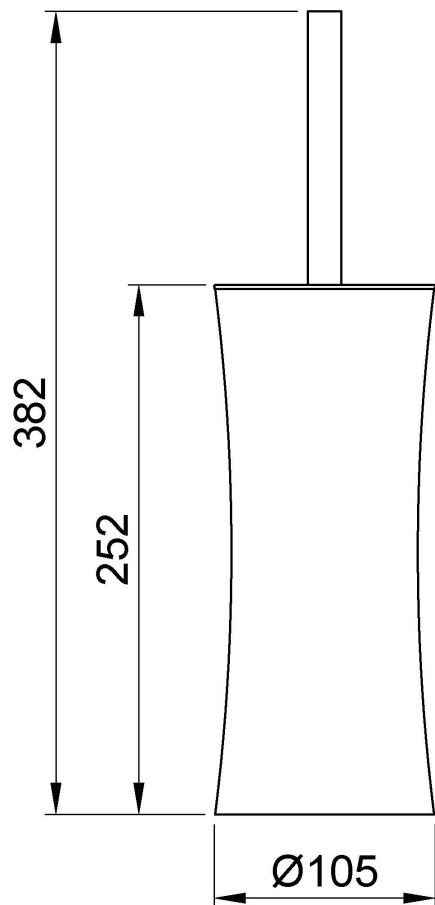
**Dimensions:** 252 high (with handle 382 high) x Ø105 (mm)

**Material inner tray:** Polypropylene

### Maintenance

Stainless steel requires maintenance as dirt over time can damage the chromium (Cr) contained in stainless steel. We recommend a monthly cleaning with a specialized product for stainless steel.

### Dimensional drawing



Ctra. Laureà Miró,  
385-387  
08980 | Sant  
Feliu de  
Llobregat,  
Barcelona - Spain  
T. +34 934 742  
423  
F. +34 934 743  
548  
nofer@nofer.com  
www.nofer.com  
www.nofer.com



RELATED  
PRODUCTS



06045.FIX



These specifications may be modified and/or amended due to manufacturing requirements.