



SN0128CS
Satin finish

General description

- Wall-mounted toilet made of bacteriostatic AISI 304 stainless steel, 1.5 mm thick, satin finish.
- Compatible with all standard frame systems available on the market.
- Elegant and simple design.
- One-piece pressed WC bowl, seam-free for easy maintenance and better hygiene.
- WC bowl surface is polished with rounded edges for easy cleaning.
- Concealed perimetral flushing rim.
- Horizontal water inlet: Ø 55mm.
- Horizontal waste outlet: Ø 100mm.
- Water saving: works with 4L or more of water.
- Pre-drilled holes for fixing the toilet seat. Supplied with stainless steel blanking caps when installed without toilet seat lid.
- Quick and easy to install from the front thanks to a stainless steel mounting frame.
- Supplied with fixing plate and 6 theft prevention TORX security screws.
- CE marked. Complies with European standard EN 997 for 4L flush.

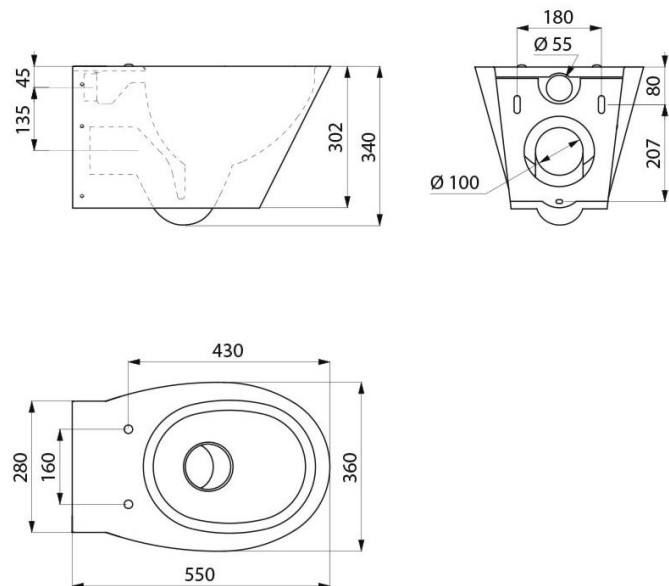
Components and materials

- **BOWL:** made of AISI 304 stainless steel, 1.5 mm thick, polished and designed with rounded edges to facilitate waste removal and cleaning.
- **BODY:** made of AISI 304 stainless steel, 1.5 mm thick and anti-vandalism finishes. No sharp edges, corners, or surface welds that prevent accidental user injury.
- **WATER OUTLET:** horizontal Ø100 mm.
- **WATER INLET:** Ø55 mm.

Technical specifications

Max. dimensions	360 x 340 x 550mm
Thickness	1.5 mm
Outlet	Ø 100 mm
Inlet	Ø 55 mm
Net weight	12 Kg

Dimensions



Dimensions: ± 4%