

SURFACE

Push-button



DJ0112C
Bright finish



DJ0112CS
Satin finish

General Description

- Liquid soap dispenser of 1.2 L capacity, manufactured in stainless steel AISI 304, 1 mm thick, to be installed directly on the wall and hand-operated by means of a push-button.
- Robust and vandal-resistant.
- With an inner tank, made of polyethylene, that prevents oxidation.
- Suitable for high traffic facilities and for public use.
- It is recommended to use liquid soap or hand sanitizing gel with the following characteristics:
 - Maximum alcohol content of 80%
 - Density between 0.9 and 1.35 kg/dm³
 - Viscosity between 500 and 2,500 cps.**It does not support soaps that contain methanol, chlorine or solid or abrasive particles.**
- It is mounted on the wall by means of three stainless steel screws (provided) with their corresponding plastic plugs (also provided).

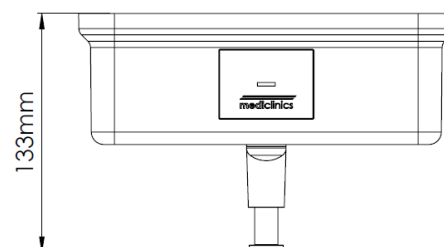
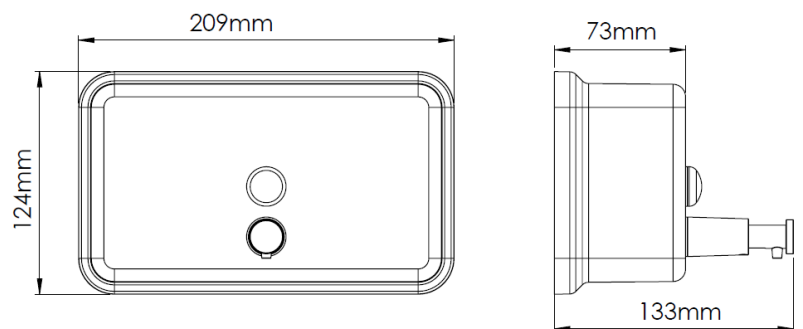
Components & materials

- **DJ0112C:** stainless steel AISI 304, bright finish.
- **DJ0112CS:** stainless steel AISI 304, satin finish.
- **WALL PLATE:** concealed and vandal-resistant, made of stainless steel AISI 304. It is mounted on the wall by means of three stainless steel screws (provided) with their corresponding Ø 5mm plastic plugs (also provided).
- **HINGED COVER:** for operator convenience and speed of service. Opening on top with special key provided that allows soap refill.
- **LEVEL DISPLAY:** made of polycarbonate and placed in the front part. It indicates the level of soap available inside the soap dispenser constantly.
- **INNER PLASTIC TANK:** made of polyethylene. It prevents oxidation.
- **PUSH-BUTTON:** made of chromed brass.
- **PUSH-IN VALVE:** made of chromed ABS with interior gaskets, to ensure tightness.

Technical Specifications

Dimensions	124 x 133 x 209 mm
Capacity	1,200 ml
Body thickness	1.0 mm
Operable force	23.5 N
Net weight	0.7 Kg
Quantity dispensed per pump	1.1 ml

Dimensions



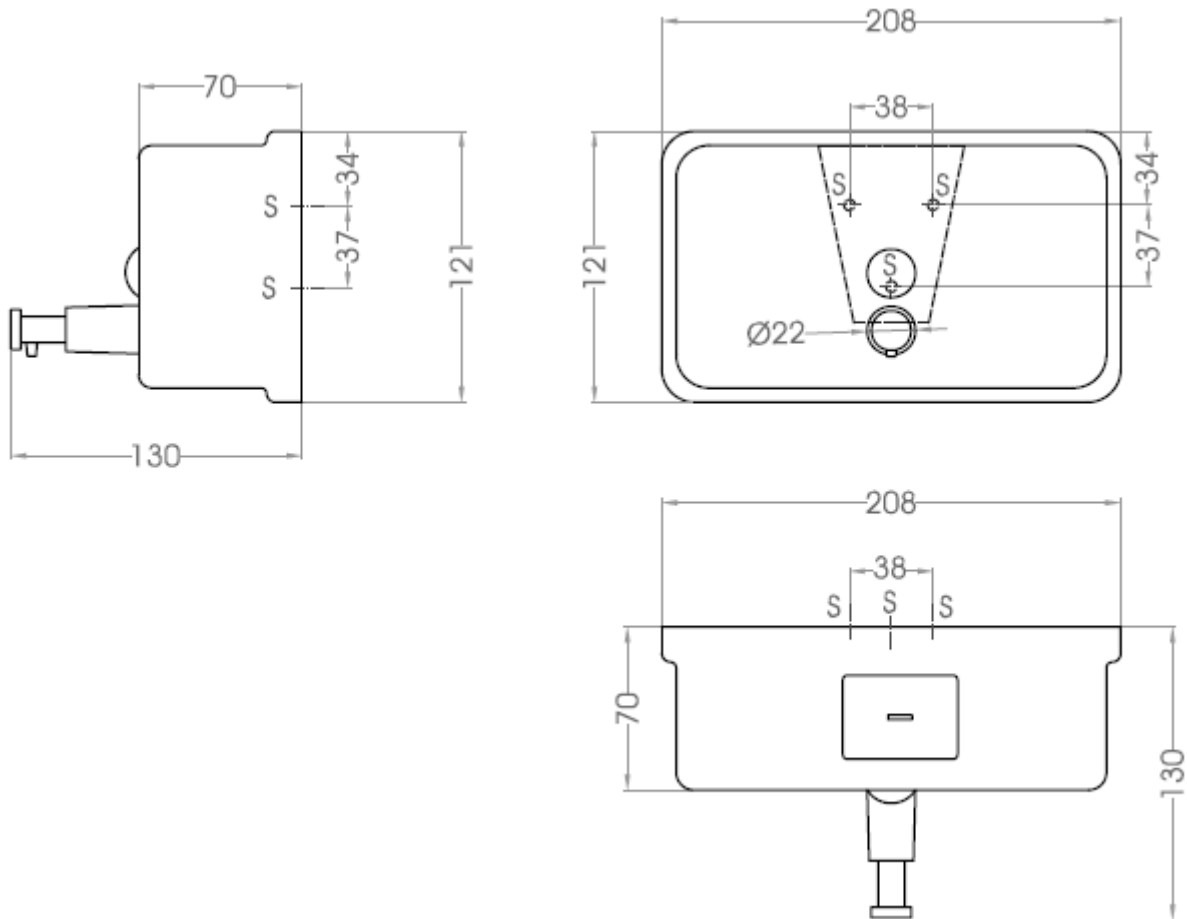
Dimensions: ±4%

OPERATION

Place one hand just under the soap dispenser valve and press the center push-button until the end of the soap dosage.

MOUNTING TEMPLATE

Fix the soap dispenser to 10-15 cm from shelf, through the holes of the wall and floor plates, using the stainless steel screws supplied and taking into account the distances of the points indicated by an "S" in the next figure:



Mediclinics, S.A., reserves the right to make changes and/or modifications to the products and their specifications without prior notice.
Revision 09-20

© mediclinics. S.A

