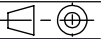


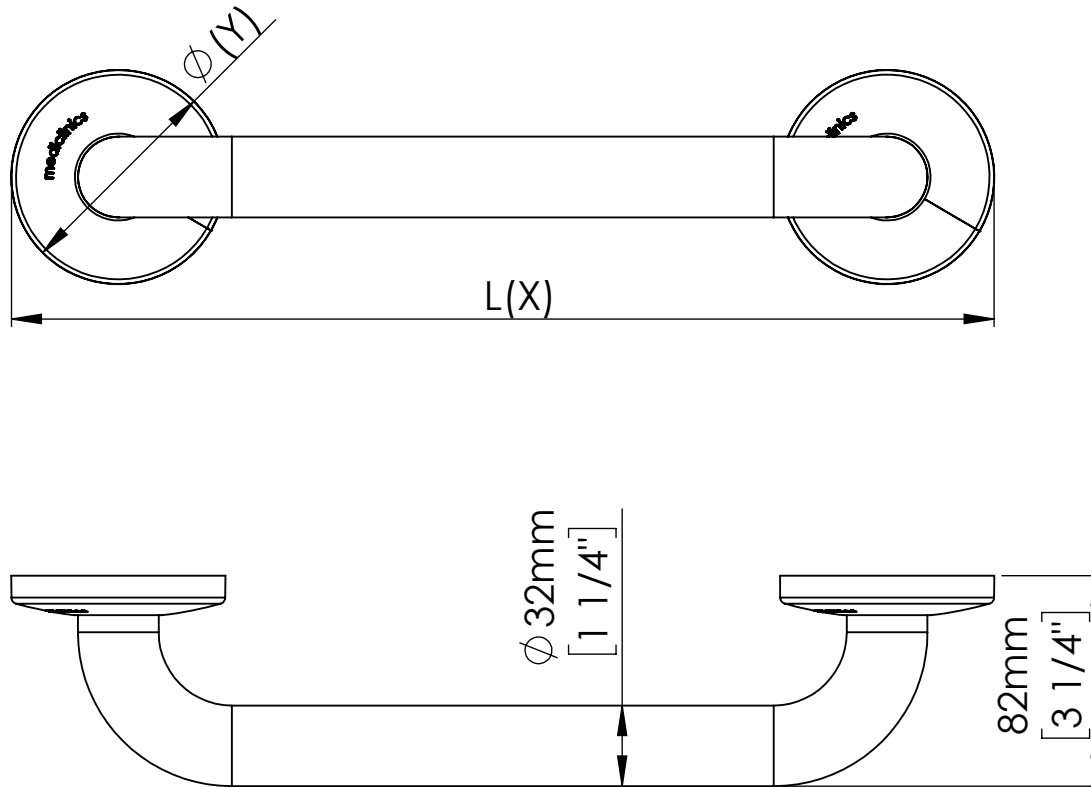


Barras de apoyo recta  
**Straight grab bars**

Fecha / **Date:** 09/11/2020



[www.mediclinics.com](http://www.mediclinics.com)



Ref. / Code	L(X)	Ø (Y)	Material	Acabado / Finish
BR2300	390mm[15 3/8"]	85mm[3 3/8"]	Acero Inox <b>Stainless steel</b>	Epoxi blanco <b>White epoxy</b>
BR2300B	390mm[15 3/8"]	85mm[3 3/8"]	Acero Inox <b>Stainless steel</b>	Epoxi negro <b>Black epoxy</b>
BR0300C	387mm[15 1/4"]	82mm[3 1/4"]	Acero Inox <b>Stainless steel</b>	Brillante <b>Bright</b>
BR0300CS	387mm[15 1/4"]	82mm[3 1/4"]	Acero Inox <b>Stainless steel</b>	Satinado <b>Satin</b>
BR2400	540mm[21 1/4"]	85mm[3 3/8"]	Acero Inox <b>Stainless steel</b>	Epoxi blanco <b>White epoxy</b>
BR2400B	540mm[21 1/4"]	85mm[3 3/8"]	Acero Inox <b>Stainless steel</b>	Epoxi negro <b>Black epoxy</b>
BR0400C	537mm[21 1/8"]	82mm[3 1/4"]	Acero Inox <b>Stainless steel</b>	Brillante <b>Bright</b>
BR0400CS	537mm[21 1/8"]	82mm[3 1/4"]	Acero Inox <b>Stainless steel</b>	Satinado <b>Satin</b>
BR2600	695mm[27 3/8"]	85mm[3 3/8"]	Acero Inox <b>Stainless steel</b>	Epoxi blanco <b>White epoxy</b>
BR2600B	695mm[27 3/8"]	85mm[3 3/8"]	Acero Inox <b>Stainless steel</b>	Epoxi negro <b>Black epoxy</b>
BR0600C	692mm[27 1/4"]	82mm[3 1/4"]	Acero Inox <b>Stainless steel</b>	Brillante <b>Bright</b>
BR0600CS	692mm[27 1/4"]	82mm[3 1/4"]	Acero Inox <b>Stainless steel</b>	Satinado <b>Satin</b>
BR0750C	842mm[33 1/8"]	82mm[3 1/4"]	Acero Inox <b>Stainless steel</b>	Brillante <b>Bright</b>
BR0750CS	842mm[33 1/8"]	82mm[3 1/4"]	Acero Inox <b>Stainless steel</b>	Satinado <b>Satin</b>
BR0900C	997mm[39 1/4"]	82mm[3 1/4"]	Acero Inox <b>Stainless steel</b>	Brillante <b>Bright</b>
BR0900CS	997mm[39 1/4"]	82mm[3 1/4"]	Acero Inox <b>Stainless steel</b>	Satinado <b>Satin</b>
BR1200C	1200mm[47 1/4"]	82mm[3 1/4"]	Acero Inox <b>Stainless steel</b>	Brillante <b>Bright</b>
BR1200CS	1200mm[47 1/4"]	82mm[3 1/4"]	Acero Inox <b>Stainless steel</b>	Satinado <b>Satin</b>

Escala/**Scale:** 1:3

Dimensiones/**Dimensions.** ±4%