

RECESSED

Standard / paper roll 2 units



PRE700CS
Satin finish

General Description

- Recessed toilet paper dispenser for two standard rolls.
- Manual dispensing.
- Suitable for high traffic facilities and for public use.
- High strength, durability and anti vandalism model.

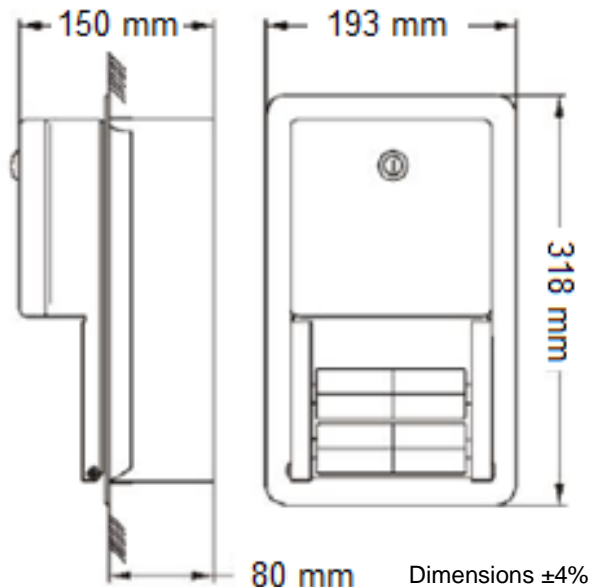
Technical specifications

Dimensions	280 x 155 x 150mm
Net weight	2,3 Kg
Capacity	2 units
Paper roll	Max. Ø 135mm

Materials & components

- **PRE700CS:** stainless steel AISI 304, 0.8 mm thick, satin finish.
- Body and lid thickness 0.8 mm.
- Laser welded swung lid.
- System for optimizing the issue of paper.
- The roll drops automatically, once the previous one has been finished.
- System for optimizing the issue of paper.
- The body includes 2-shafts made in high-impact plastic, one for each paper roll.
- Anti-vandal key lock.

Dimensions



OPERATION

When the roll of the first charge is over, the roll of the spare roll drops automatically. The old cardboard must be removed by opening the door.

MOUNTING TEMPLATE

65-75 cm at lower point // 70 cm at lower point (for handicapped people).