



HGPT0020B
Matte black epoxy finish

General description

- Sturdy and movable hand sanitizing station holder for Mediclinics hand-sanitizer dispensers, made of steel, painted in matte black Epoxy and with a heavy and stable square base.
- This portable hand sanitizing station holder offers the perfect hand disinfection alternative where soap and water are not readily available.
- Compatible with the Mediclinics dispensers DJ0037A ..., DJF0038A ..., DJS0039A..., DJ0160AS, DJP0034..., DJFP035... y DJSP036 ...
- Ideal for use in high-traffic locations, such as airports, hospitals, shopping malls, schools, hotels and restaurants, museums, libraries, etc.
- The highly visible signage explains how to disinfect your hands correctly, reducing the spread of germs.
- Mediclinics' portable hand sanitizing station helps to keep a workplace more hygienic, cleaner and healthier. Suitable for any environment.

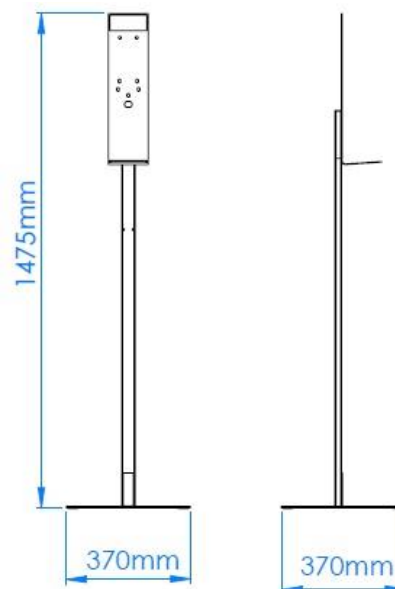
Components & materials

- **FLOOR BASE PLATE:** square, made of steel, 4mm thick, matte black epoxy finish, with elastomeric silent blocks to prevent the base from scratching the floor.
- **POLE:** made of 40x20mm steel square tube, 2mm thick, matte black epoxy finish.
- **DRIP TRAY:** made of steel, 1.5 mm thick, matte black epoxy finish, with instruction vinyl at the top and holes for soap dispenser installation.
- **ASSEMBLY TOOLING:** includes 4 screws and nuts for the hand-sanitizer dispenser, 2 screws for the pole and a hex key. **No extra tooling is needed to install the hand-sanitizer dispenser.**

Technical specifications

| | |
|-----------------------------------|----------------|
| Dimensions | 370x1475x370mm |
| Floor base plate thickness | 4mm |
| Pole thickness | 1.5mm |
| Drip tray thickness | 1.5mm |
| Net weight | 7.4Kg |

Dimensions



Dimensions: ±4%