

Towel Ring

- Durability and resistance.
- Easy to install and clean.
- Polish finish.



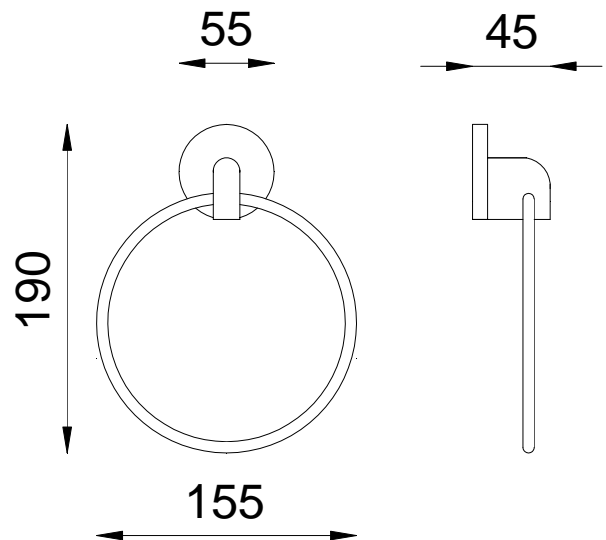
TECHNICAL DATA

- Made in Zamak (alloy of Zinc, Aluminum, Magnesium and Copper).
- Dimensions: 155 mm wide x 45 mm deep x 190 mm high.
- Wall fixation Ø 55 mm.
- Screws included

SUGGESTED TEXT FOR PRESCRIPTION

Towel ring NOFER or similar, made in Zamak.  
Dimensions: 155 mm wide x 45 mm deep x 190 mm high.

TECHNICAL DRAWING



NOFER S.L.  
Avenida de la fama, 118  
08940 · Cornellà de Llobregat (Barcelona)  
Tel +34 934 742 423 · Fax +34 934 743 548  
nofer@nofer.com · www.nofer.com

Related Products

