

TOILET SEAT WITH COVER

Lacquered wood



TP0130
Mahogany finish



TP0135
Black finish

General Description

- Toilet seat with cover made of lacquered wood, designed and manufactured to fit into SN0110CS and SN0110C Mediclinics toilets
- Ideal solution suitable for installation in public or home washrooms.

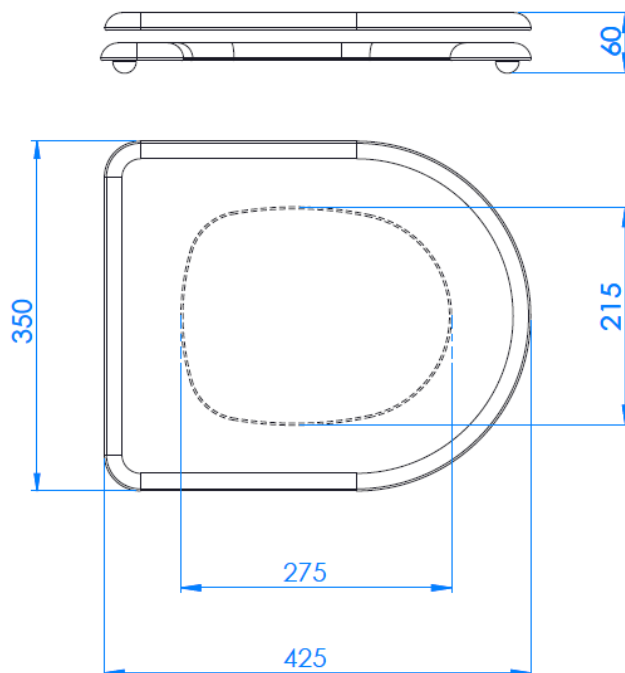
Components and materials

- **TP0130:** toilet seat with cover made of lacquered wood mahogany finish.
- **TP0135:** toilet seat with cover made of lacquered wood black finish.
- **SEAT AND COVER:** made of lacquered wood. Total height 60 mm.
- **HINGES:** made of stainless steel. They give maximum adjustment to the toilet.
- **BUFFERS:** made of high durable plastic.

Technical Specifications

Dimensions	425 x 60 x 350 mm
-------------------	-------------------

Dimensions



Dimensions $\pm 4\%$

MOUNTING

On Mediclinics toilets SN011CS and SN011C with the supplied fixings and in the threaded holes of the toilet.