

Soap dish

Código: AI0140CS

General description

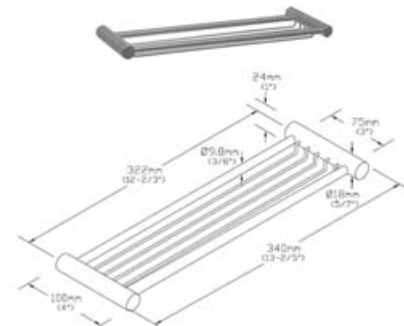
- Shelf consists of four seamless bar, stainless steel AISI 304, satin finish, for mounting on the wall.
- Suitable for the hotel sector, for fitting out the bathrooms in the hotel rooms.
- Model suitable for public use.
- With no removable components.

Components and Materials

- Shelf, stainless steel AISI 304, Ø 9 mm, satin finish.
- Stainless steel AISI 304 seamless bar, Ø 6 mm, satin finish.
- Stainless steel AISI 304 arm, 2 units, 0.8 mm thick, satin finish. Completely welded construction.
- Mounting on the wall by means of two screws.

Technical Specifications

Maximum dimensions - 24x 340 x 100 mm
Distance from the wall - 100 mm



Dim.: ±4%

Operation

No specific instructions for its use required.

Certificates & Qualifications

ISO 9001:2008.

Mediclinics, S.A., reserves the right to make changes and/or modifications to the products and their specifications without prior notice.

mediclinics S.A

