

Adjustable height mirror

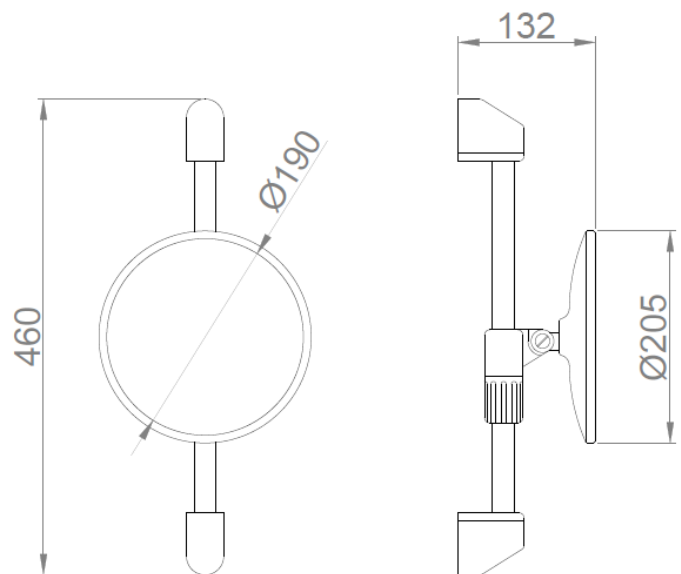
- Adjustable mirror in height.
- Wall installation.
- Sliding mirror on vertical bar.
- Polish finished.


TECHNICAL DATA

- Made of chromed ABS polish finish.
- Dimensions: 460 height x 205 width x 132 depth (mm).
- Mirror diameter: Ø190 mm.
- Weight: 0,55 kg.

SUGGESTED TEXT FOR PRESCRIPTION

NOFER mirror, adjustable in height. Made of chromed ABS polish finish. Dimensions: 460 height x 205 width x 132 depth (mm). Mirror diameter: Ø190 mm.

TECHNICAL DRAWING


DIMENSIONS IN mm



NOFER S.L.
 Avenida de la fama, 118
 08940 · Cornellà de Llobregat (Barcelona)
 Tel +34 934 742 423 · Fax +34 934 743 548
 export@nofer.com · www.nofer.com

Related Products

08007.B

08009.2.B

08015.B