

Stainless steel WC floor pan horizontal outlet

- AISI 304 stainless steel WC floor pan with horizontal outlet.
- Anti vandal, totally welded and without edges.
- Ergonomic and suitable for disabled.
- Designed for high frequency public bathrooms.
- Easy to clean, durability and resistance against rust.
- Polish finish, also available in satin finish (NOFER 13012.M.S).

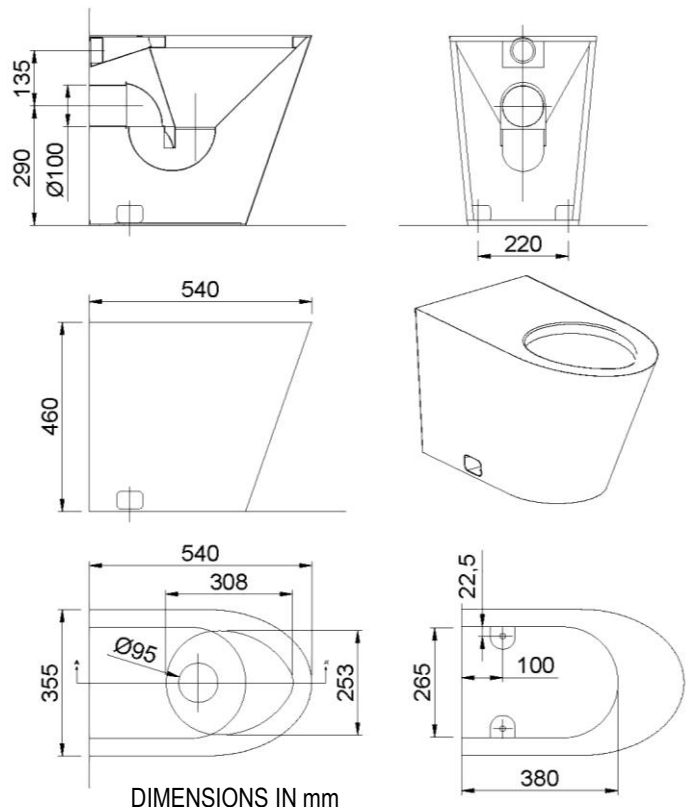


TECHNICAL DATA

- Made of AISI 304 stainless steel with 1.2 mm thickness.
- Dimensions: 460 height x 355 width x 540 depth (mm).
- Water inlet connection Ø60 mm and drain pipe Ø100 mm.
- Holes not included - drilling is optional.
- Suitable for manual or automatic flusher systems.
- Optionally cover available in ABS (15028), wood (15031) or stainless steel (15029).



TECHNICAL DRAWING



SUGGESTED TEXT FOR PRESCRIPTION

Toilet pan with horizontal outlet NOFER, in AISI 304 stainless steel. Dimensions: 460 height x 355 width x 540 depth (mm). Water inlet connection Ø60 mm and drain pipe Ø100 mm.



NOFER S.L.
 Avenida de la fama, 118
 08940 · Cornellà de Llobregat (Barcelona)
 Tel +34 934 742 423 · Fax +34 934 743 548
 export@nofer.com · www.nofer.com

Related Products

