

Toilet paper holder reserve

- Durability and resistance against rust and corrosion.
- Easy to install and clean.
- Polish finished chromed brass.



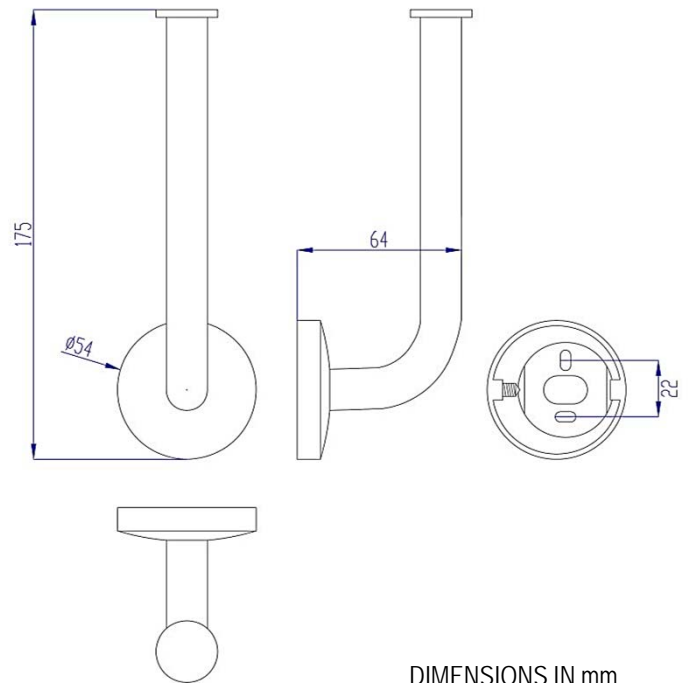
TECHNICAL DATA

- Made of polish finished chromed brass.
- Dimensions: 175 height x 54 width x 64 depth (mm).
- Equipped with wall fixing materials.

SUGGESTED TEXT FOR PRESCRIPTION

NOFER or similar, toilet paper holder reserve made of chromed brass. Dimensions: 175 height x 54 width x 64 depth (mm).

TECHNICAL DRAWING



NOFER S.L.
 Avenida de la fama, 118
 08940 · Cornellà de Llobregat (Barcelona)
 Tel +34 934 742 423 · Fax +34 934 743 548
 export@nofer.com · www.nofer.com

Related Products



16370.B



16371.B



16372.B



16373.B



16374.B



16376.B