

Toilet paper holder

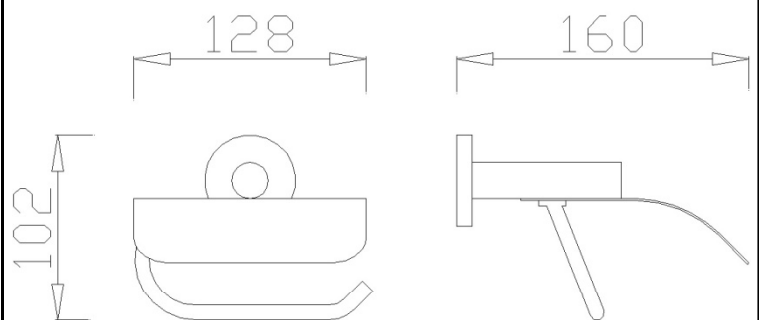
- Toilet paper holder in chrome plated brass.
- Durability and resistance to corrosion.
- Suitable for collectivities.
- Polish finish.


TECHNICAL DATA

- Made of chrome plated brass.
- Upper cover in brass sheet 1 mm thick.
- Dimensions: 102 high x 128 wide x 160 deep mm. Wall support Ø 45 mm.
- Net weight: 0,6 Kg.
- Hidden anchor mechanism. Wall fixing materials included.

SUGGESTED TEXT FOR PRESCRIPTION

Toilet paper holder NOFER or similar, in chrome plated brass. Polish finish. Dimensions: 102 high x 128 wide x 160 deep mm. Wall support Ø 45 mm.

TECHNICAL DRAWING


Dimensions in mm



NOFER S.L.
 Avenida de la fama, 118
 08940 · Cornellà de Llobregat (Barcelona)
 Tel +34 934 742 423 · Fax +34 934 743 548
 nofer@nofer.com · www.nofer.com

Related Products
