

Sanitana

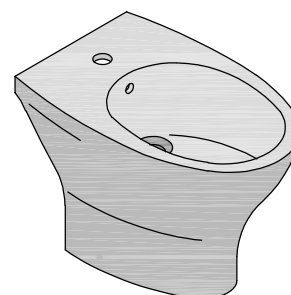
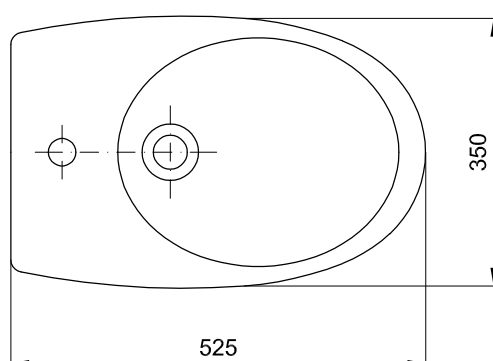
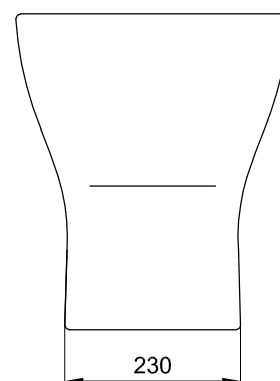
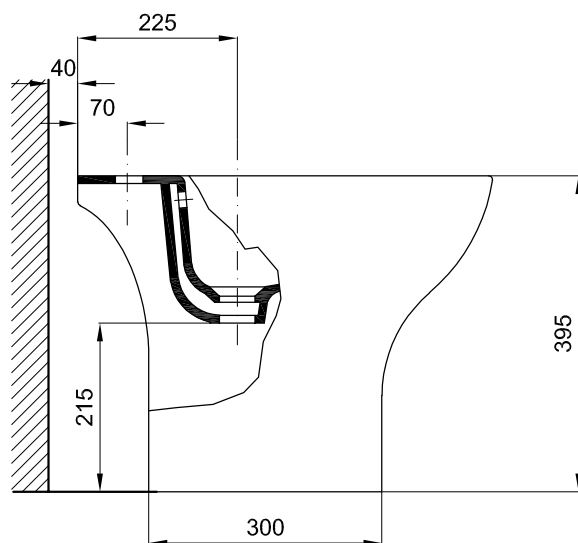
CARACTERÍSTICAS DO MODELO:

- MATERIAL: VITREOUS CHINA
- BIDÉ DE PÉ COM FURO PARA TORNEIRA MONOBLOCO
- PROVIDO DE FURO LADRÃO
- S/EN 35; UNE - EN 35; NF - EN 35; NF D 11 - 107
- GARANTIA DE 2 ANOS
- PESO: 16.5KG

PEÇA:

- DESCRIÇÃO: BIDÉ DE PÉ
- SERIE: POP
- VERSÃO: MONOBLOCO
- REF: S100763349...00

CROQUIS COM DIMENSÕES GERAIS E DE LIGAÇÃO:



COMPONENTES INCLUÍDOS:

- KIT DE FIXAÇÃO BIDÉ Ref: A822503120

PRODUTOS ASSOCIADOS:

Sanitana

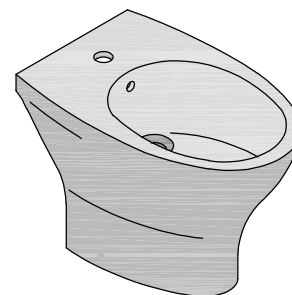
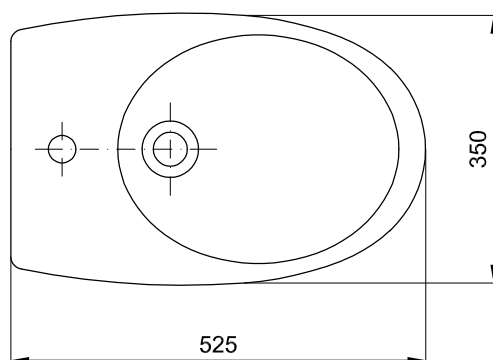
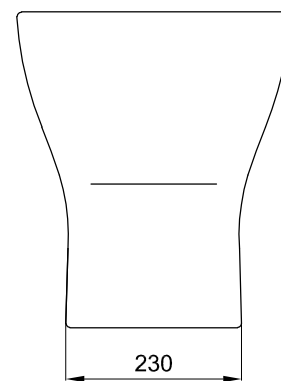
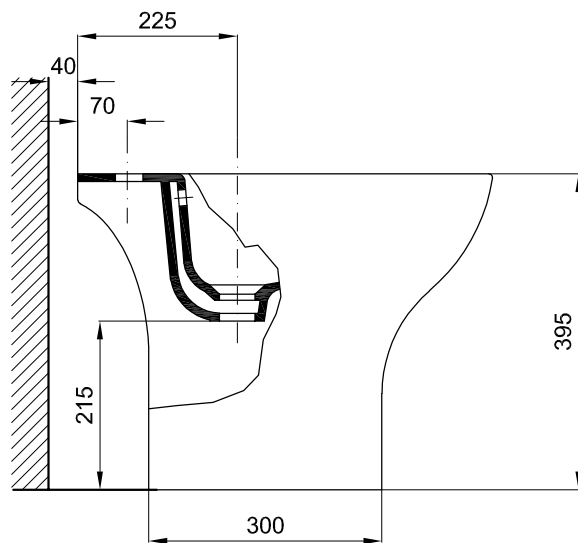
FEATURES OF THE MODEL:

- MATERIAL: VITREOUS CHINA
- SIMPLE BIDET WITH HOLE FOR TAP MONOBLOC
- PROVIDED WITH HOLE THIEF
- EN 35; UNE - EN 35; NF - EN 35; NF D 11 - 107
- TWO YEARS WARRANTY
- WEIGHT: 16.5KG

PART:

- DESCRIPTION: SIMPLE BIDET
- SERIES: POP
- VERSION: MONOBLOC
- REF: S100763349...00

SKETCH WITH DIMENSIONS AND CONNECTIONS:



INCLUDED COMPONENTS:

- FIXING KIT BIDET Ref: A822503120

RELATED PRODUCTS:

FORM N°: SDRW-000043691-c

The products presented follow technical specifications Sanitana SA. The dimensions are approximate. For installation as only to be considered the dimensions of the part to be removed applied. We reserve the right to make technical changes to improve the functionality of our products without notice.