

INSTALLATION AND MAINTENANCE GUIDE

WALL MOUNTED ELECTRONIC FAUCET

WASHFREE 1000



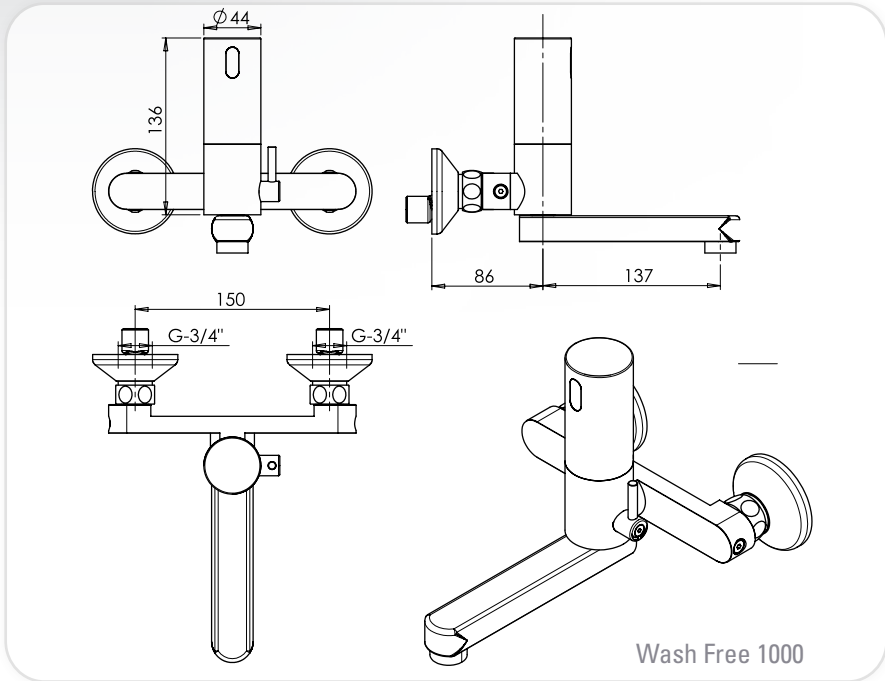
stern

STERN ENGINEERING LTD.

INDEX

- 1 TECHNICAL DATA**
- 2 PACK CONTENTS**
- 3 PRE-INSTALLATION INFO**
- 4-5 INSTALLATION**
- 6-8 SETTING ADJUSTMENT WITH REMOTE CONTROL**
- 9 BATTERY REPLACEMENT**
- 10 MAINTENANCE**
 - Filter cleaning instructions
 - Care and cleaning of chrome and special finishes
- 11 SPARE PARTS LIST**
- 12 WARRANTY**
- 13 TROUBLE SHOOTING**

TECHNICAL DATA



Power Supply:	Internal 9V Lithium battery
Recommended water pressure:	0.5-8.0 bar (7-116 PSI) With water pressure of more than 8 bars, use a pressure reducing valve for reduction
Preset Sensor Range:	200 mm.
Minimum Sensor Range:	80 mm.
Maximum Sensor Range:	300 mm.
Flow time:	8 seconds. Adjustable with remote control.
Hot water temperature:	Max. 70 °C

PACK CONTENTS

Familiarize yourself with the parts names and confirm that the parts are included.



PRE-INSTALLATION INFO

CHECK CONTENTS

Separate all parts from packaging and check each part with the Pack contents section. Pay attention to the different models variations.

Make sure all parts are accounted for before discarding any packaging material. If any parts are missing, do not attempt to install your electronic faucet until you obtain the missing parts.

WARNINGS:

Do not install the system facing a mirror or any other electronic system operated by an infra-red sensor.

To prevent reflection problems, it is recommended to keep a minimum distance of 1.50 meters between the faucet and any other objects.

PREPARATION FOR INSTALLATION:

Flush water supply lines thoroughly before installing the faucet.

Do not allow dirt, Teflon tape or metal particles to enter the faucet.

Shut off water supply.

Always install the provided filters.

IMPORTANT:

All plumbing is to be installed in accordance with applicable codes and regulations.

INSTALLATION

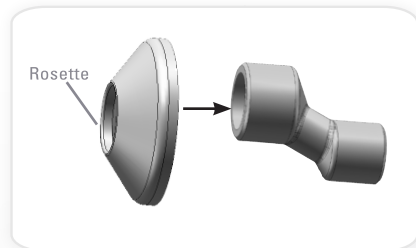
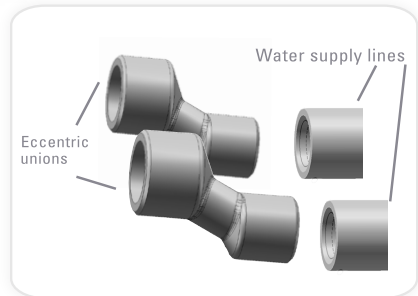
STEP 1 – INSTALLING THE FAUCET

1. Shut off the water supply.
2. Fit and affix the faucet as a standard exposed fitting with the water outlet down and the temperature handle on the right side. It will ensure the hot water inlet being to the left and the cold water inlet being to the right.



NOTE: The standard distance between the water supply pipes centers is 150mm. 2 eccentric unions are provided to allow variations from 130mm to 170mm.

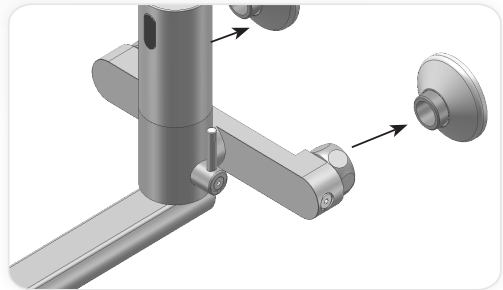
3. Mount the eccentric unions on the water supply pipes.
4. Apply the covering rosettes on the eccentric unions.
5. Set the eccentric unions so that they correspond with the faucet inlets.



INSTALLATION

IMPORTANT: To make sure it will be installed in the right location, the filter is joined to the faucet nuts with a clear adhesive tape.

6. Remove the clear adhesive tape holding the filter in place and proceed to mounting the faucet on the eccentric unions.
7. Tighten the nuts carefully with a 30mm wrench.



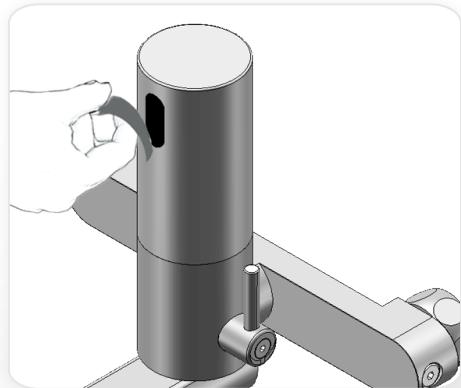
STEP 2 – CONNECTING THE WATER SUPPLY

1. Turn on the central water supply and the shut-off valves.
2. Check for leaks.



STEP 3 – CONNECTING THE POWER SOURCE

1. Remove the sticker from the sensor eye.
2. Wait a few seconds before activating the faucet.
3. If the sensor range is unsatisfactory refer to the section titled “Setting Adjustment”.



SETTINGS ADJUSTMENT WITH REMOTE CONTROL



ADJUSTING THE SETTINGS WITH THE REMOTE CONTROL

If necessary, the sensor settings can be adjusted as following:
Shut off the water supply. In order to adjust the sensor with the remote control, hold the remote control straight in front of the sensor in a distance of about 6-8" (15-20cm). Choose the function you want to adjust by pressing once on one of the function buttons. After pressing once on a specific function button, a quick flashing of the red light at the front of the sensor will occur. At this stage, you can change the setting by pressing the (+) or the (-) buttons, every push will increase or decrease one level. After finishing the adjustment, turn the water supply back on.

SETTINGS ADJUSTMENT WITH REMOTE CONTROL



DETECTION RANGE: The sensor range is the greatest distance that an object can be away from the sensor to activate the faucet. The sensor is factory preset.

To adjust the sensor range press + to increase detection range and – to decrease the detection range of the sensor.



FULL FLOW TIME: This function determines the water flow time once the user operates the system. Press the two waves button. Wait until a quick flashing of the red light of the sensor eye is perceived. Then, press + to increase the flow time and – to reduce it.



TEMPORARY OFF FUNCTION: This function is ideal to perform any kind of activity in front of the sensor without operating the system (for example, cleaning).

Faucets will remain shut for 1 minute when this button is pressed once. To cancel this function and to return to normal operation press the On/Off button again or wait 1 minute.



RESET BUTTON: This function allows the sensor to return to the original factory preset settings.

If required, press the Reset button and without releasing it, press the + button once.

BATTERY REPLACEMENT

REPLACING THE BATTERY

When the battery weakens the red indicator light will blink in the sensor eye at a constant rate. The battery must be replaced within two weeks.

TO REPLACE THE BATTERY

1. Turn off the shut off valve.
2. Release the allen screw in the middle of the faucet body and remove the faucet cover with the sensor.
3. Pull out the battery and remove the old battery
4. Replace the used battery with a new 9v battery (lithium battery is recommended).
5. Carefully place the battery inside the body and relocate the faucet cover.
6. Tighten the allen screw back into place

Important: spent batteries should not be disposed of with normal household waste. Contact your local authority for information on waste disposal and recycling.



MAINTENANCE

FILTER CLEANING INSTRUCTIONS

The system is provided with one stainless steel filter preventing foreign particles to enter the lines. If the water flow has decreased, this may be because the filter is clogged. The filter can be cleaned as follows:

1. Shut-off the water shut off valve.
2. Disconnect the flexible pipe.
3. Remove the filter and wash it under running water.
4. Reassemble the parts.
5. Reconnect the flexible pipe and restore the incoming water supply.
6. Make sure that there is no water leakage.

CARE AND CLEANING OF CHROME AND SPECIAL FINISHES

DO NOT use steel wool or cleansing agents containing alcohol, acid, abrasives, or the like. Use of any prohibited cleaning or maintenance products or substances could damage the surface of the faucet. For surface cleaning of faucet use **ONLY** soap and water, then wipe dry with clean cloth or towel. When cleaning bathroom tile, the faucets should be protected from any splattering of harsh cleansers.

SPARE PARTS LIST

Seals and Screws Kit	07210123
Sensor Kit	07220162
Solenoid Valve	07500068
Spout	07015035
Handle Assembly	07245014
Inlet Nipple Kit	07246001

WARRANTY

Y. Stern Engineering Ltd. warrants that its electronic faucets, flush valves and controls will be free of defects in material and workmanship during normal use for two years from the date the product is purchased.

If a defect is found in normal use, Y. Stern Engineering Ltd. will, at its discretion, repair, provide a replacement part or product, or make appropriate adjustments. Damage caused by accident, misuse, or abuse is not covered by this warranty. Improper care and cleaning will void the warranty. Proof of purchase (original sales receipt) must be provided to Stern Engineering Ltd. with all warranty claims.

Stern Engineering Ltd is not responsible for labor charges, installation, or other incidental or consequential costs other than those noted above. In no event shall the liability of Stern Engineering Ltd. exceed the purchase price of the faucet, valve or control.

If you believe that you have a warranty claim, contact your Stern Distributor, Dealer or Plumbing Contractor. Please be sure to provide all pertinent information regarding your claim, including a complete description of the problem, the product, model number, the date the product was purchased, from whom the product was purchased and the installation date. Also include your original invoice.

Y. STERN ENGINEERING AND/OR SELLER DISCLAIM ANY LIABILITY FOR SPECIAL, INCIDENTAL OR CONSEQUENTIAL DAMAGES. This warranty excludes product damage due to installation error, incorrect maintenance, wear and tear, battery, water composition, product abuse, or product misuse, whether performed by a contractor, service company, or the consumer. This warranty does not cover product damage caused by the following:

- Incorrect installation, inversions of supply pipes.
- Pressures or temperatures exceeding recommended limits.
- Improper manipulation, tampering, bad or lapsed maintenance.
- Foreign bodies, dirt or scale introduced by the water supply.

TROUBLE SHOOTING

PROBLEM	INDICATOR	CAUSE	SOLUTION
No water coming out of the faucet:	11. Sensor flashes continuously when user's hands are within the sensor's range.	Low battery.	Replace battery.
	2. Red light in the sensor does not flash once when user's hands are within the sensor's range.	1. Range is too short.	Increase the range.
		2. Range is too long.	Decrease the range.
3. Red light in the sensor flashes once when user's hands are within the sensor's range.	3. Battery is completely used up	3. Battery is completely used up	The battery must be replaced.
		4. Unit is in "Security Mode"	Eliminate cause of reflection.
	4. Unit is in "Security Mode"	5. Sensor is picking up reflections from the washbasin or another object.	Eliminate cause of reflection.
		1. Connectors between the electronic unit and solenoid are disconnected.	1. Connectors between the electronic unit and solenoid are disconnected.
	2. Debris or scale in solenoid.		Unscrew solenoid, pull out the plunger and the spring from the solenoid and clean them. Use scale remover material if needed. When replacing the plunger, please make sure that the spring is in vertical position.
3. The central orifice in the diaphragm is plugged or the diaphragm is torn	Clean the orifice or replace diaphragm.		
4. The water supply pressure is higher than 8 bar.	4. The water supply pressure is higher than 8 bar.	Reduce the supply water pressure.	
	5. The water supply pressure is under 8 bars and yet the pressure in the faucet's body is higher. This situation could be caused by a sudden increase in the water supply pressure that the backcheck prevents from dropping, even after water supply pressure drops under 8 bars.	Shut off water supply and unscrew one of the flexible pipes in order to reduce the pressure that blocks the product.	
Water flow from spout does not stop:	1. Sensor flashes once when user's hands are within the sensor's range.	Debris or scale in diaphragm	Clean the orifice or replace diaphragm.
	2. Red light in the sensor does not flash once when user's hands are within the sensor's range.	1. Sensor is dirty or covered.**	Clean or eliminate cause of interference.
		2. Sensor is picking up reflections from the washbasin or another object.	1. Decrease the range or eliminate cause of reflection.
Water flow diminished		Filter or aerator is clogged	Remove, clean, re-install
* "Security Mode": If the sensor is covered for more than 90 sec. the faucet will automatically shut off water flow. To return to normal operation remove any blockage.			
** In this case, the water flow will stop anyway after 90 seconds because of the security time.			



STERN

STERN ENGINEERING LTD.

15 Gan Rave Blvd., 81222 Gan Rave, Yavne, Israel

Tel: 972-8-9326000, Fax: 972-8-9326025, export@sternfaucets.com

www.sternfaucets.com



09.13 01500438