

MALMO

TOUCH-FREE ELECTRONIC WALL MOUNTED FAUCET

SPECIFICATIONS

Heavy duty wall mounted electronic faucet, activated by an infrared sensor. Powered by an internal 9V battery for theft prevention. Includes a low battery level indicator. Latching solenoid valve located inside the product for added vandal protection. Filters included. For cold or premixed water (single inlet). Malmo 1000 (two inlets) has a mixing handle for water temperature adjustment. Customizable settings by optional remote control: Sensor range, Security time, Delay In, Delay Out and On-Off. 24 hour mandatory hygiene flush option available upon request.

OPERATION

Touch-free electronic faucet operated by an infrared sensor. The faucet automatically activates when users place their hands within sensor range and deactivates when removed from the sensor range.

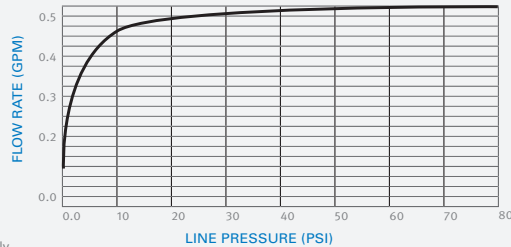
APPLICATION

Wall mounted faucet combining an elegant design with anti-vandal features. Helps washrooms remain clean, saves water and aids in cross contamination prevention. Ideal for hospitals, laboratories and medical clinics.

PRODUCT AT A GLANCE

Installation	Wall mounted
Power Supply	9V battery
Operating pressure	0.5-8.0 bar / 7.0-116.0 PSI For greater water pressure please use a pressure reducing valve
Water supply	MALMO: Cold or premixed water MALMO 1000: Hot and cold water
Water flow	6 LPM / 1.58 GPM - SSR PCA stream
Water Saving Options	4 LPM / 1 GPM ; 3 LPM / 0.8 GPM 1.89 LPM / 0.5 GPM ; 1.3 LPM 0.35 GPM - PCA spray
Water temperature	70°C Maximum
Security Time	Auto shutoff after 90 seconds. Customizable by remote control

FLOW RATE vs PRESSURE



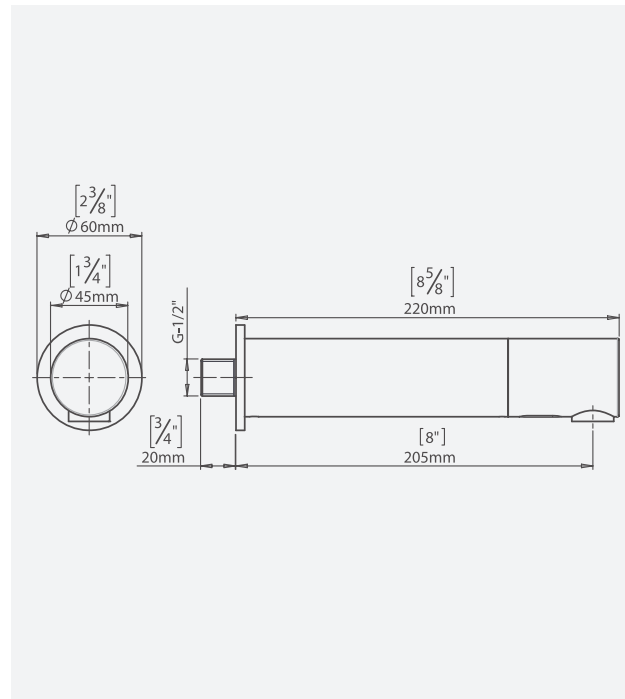
This graph applies to 0.5 GPM option only.

ORDERING INFORMATION

MODEL	CODE	POWER
MALMO	225865	9V battery
MALMO 1000	225860	9V battery

OPTIONS

OPTION	CODE
Remote control	07100005
Matching battery-powered soap dispenser	350920
Matching transformer-powered soap dispenser combination	350925



ADVANTAGES



LEED RATING



OPTIONAL HYGIENE FLUSH



ROBUST BRASS BODY



ADJUSTABLE SETTINGS



EASY TO INSTALL

APPROVALS



ADA DESIGNED



777 Passaic Avenue
Clifton NJ, 07012
USA: sternusa@sternfaucets.com
International: info@sternfaucets.com
Toll Free: 1-800-4364410

www.sternfaucets.com