

SURFACE

Push-button activated



DJ0115C
Bright finish



DJ0115CS
Satin finish

General Description

- Push-button wall-mounted liquid soap dispenser of 1.3 L capacity, manufactured in stainless steel AISI 304, 1.0 mm thick.
- Available in two finishes (bright and satin) these soap dispenser models have a functional, robust and trendy design that matches the new range of Mediclinics bathroom accessories. This allows this soap dispenser to blend into any space perfectly.
- Suitable for high traffic facilities and for public use.
- Dispenses liquid soap or hand sanitizing gels.
- It is recommended to use liquid soap or hand sanitizing gel with the following characteristics:
 - Maximum alcohol content of 80%
 - Density between 0.9 and 1.35 kg/dm³
 - Viscosity between 500 and 2,500 cps.

It does not support soaps that contain methanol, chlorine or solid or abrasive particles.

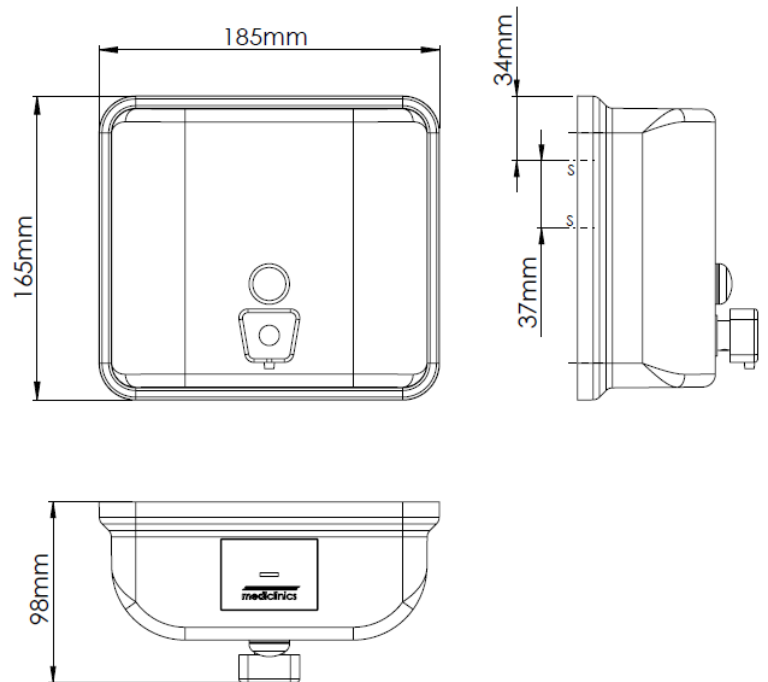
Components & materials

- **DJ0115C:** Stainless steel AISI 304, bright finish.
- **DJ0115CS:** Stainless steel AISI 304, satin finish.
- **BODY AND BACK PLATE:** made of stainless steel, fully welded to avoid deformation and soap dripping.
- **INNER TANK:** made of polyethylene to prevent oxidation.
- **LEVEL DISPLAY:** in the front part that constantly indicates the level of soap available inside the soap dispenser.
- **PUSH-BUTTON:** made of black ABS thermoplastic.
- **REFILL WINDOW:** on top. It is open with provided key that allows soap refill.

Technical Specifications

Dimensions	185x165x98 mm
Body thickness	1 mm
Net weight	0.70 Kg
Quantity dispensed per pump	0.7 ml
Capacity	1.3 ml

Dimensions



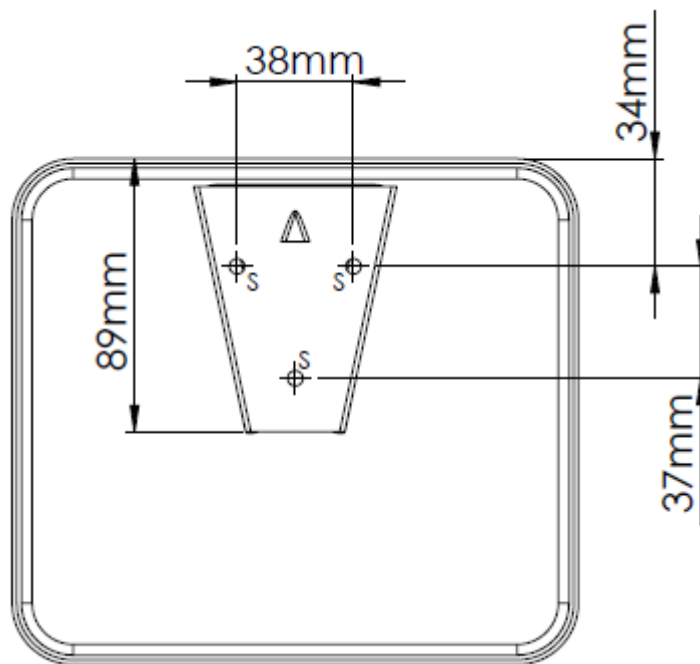
Dimensions ±4%

OPERATION

Place one hand under the soap dispenser valve and press the push-button until the end of the soap dosage.

MOUNTING TEMPLATE

Fix the soap dispenser 10-15 cm from countertop, through the wall bracket holes, using the stainless steel screws supplied and taking into account the distances of the points indicated by an "S" in the next figure:



Mediclinics, S.A., reserves the right to make changes and/or modifications to the products and their specifications without prior notice.
Review 09-21 © mediclinics. S.A

