

Wall mounted folding seat

- Phenolic folding seat with wall support.
- Structure in satin finishing AISI 304 stainless steel.
- Suitable for accessible showers.
- Durability, water and rust resistance and easy to clean.



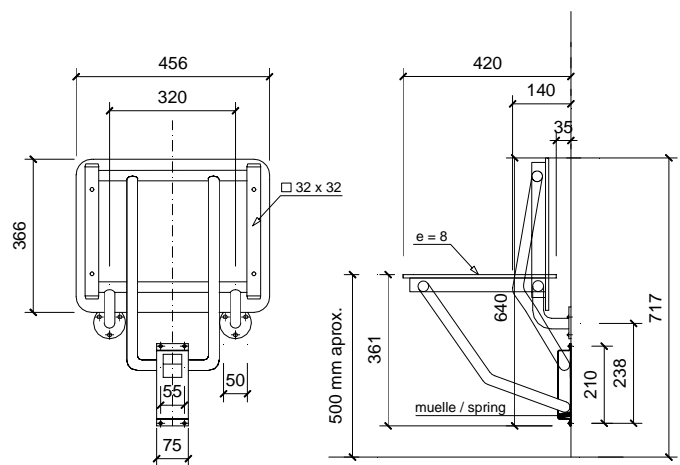
TECHNICAL DATA

- Structure made in AISI 304 stainless steel. Tubular profiles \varnothing 25 mm and squared profiles 32 x 32 mm.
- One piece 8 mm thick perforated Phenolic seat to drain water. Seat dimensions: 456 mm wide x 366 mm deep.
- Folded seat deep: 140 mm.
- Recommended installation high: 450 - 500 mm from finished floor.
- Delivered with stainless steel fixations.
- Two mounting flanges with 3 fixing points. Guide flange with spring and 4 fixing points.
- Maximum supported load: aprox. 100 kg.
- Maintenance: stainless steel needs maintenance because dust can eventually damage the chrome in stainless steel. We recommend monthly cleaning with our special product.

SUGGESTED TEXT FOR PRESCRIPTION

Wall mounted folding seat NOFER or similar, made in AISI 304 stainless steel. One piece phenolic seat. Dimensions: 456 mm wide x 420 mm deep x 361 mm high. Folded seat dimensions: 456 mm wide x 140 mm deep x 717 mm high.

TECHNICAL DRAWING



DIMENSIONS IN mm.



NOFER S.L.
 Avenida de la fama, 118
 08940 · Cornellà de Llobregat (Barcelona)
 Tel +34 934 742 423 · Fax +34 934 743 548
 export@nofer.com · www.nofer.com

Related Products					
	15045.S	15046.S	15808.S	15066.S	15067.W