

Equiped handwasher kit

· Handwasher kit equipped with the following: Ergonomic wash basin (GIAMPIERI H5), handwasher reclining support (GIAMPIERI 303C), drainage set (GIAMPIERI 302A) and mixer tap (GIAMPIERI 07200).



SUGGESTED TEXT FOR PRESCRIPTION

Handwasher kit GIAMPIERI or similar, equiped with the following: Ergonomic wash basin (GIAMPIERI H5), handwasher reclining support (GIAMPIERI 303C), drainage set (GIAMPIERI 302A) and mixer tap (GIAMPIERI 07200).



NOFER S.L.
 Avenida de la fama, 118
 08940 · Cornellà de Llobregat (Barcelona)
 Tel +34 934 742 423 · Fax +34 934 743 548
 nofer@nofer.com · www.nofer.com

Ergonomic wash basin for people with disabilities

- Ergonomic wash basin made of ceramics for people with disabilities.
- Front part specially designed to facilitate the use of the wash basin when approaching with wheelchair.
- provided with armrests and anti splash.
- Build in wash basin without pedestal.
- Suitable for public spaces with high frequency of use.
- Durability and resistance against weathering. Easy to clean.



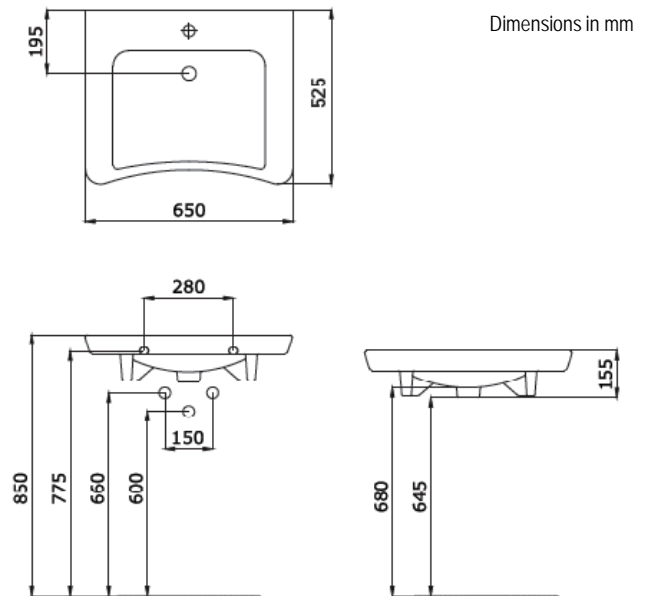
TECHNICAL DATA

- Dimensions: 155 height x 650 width x length 525 (mm).
- Made of white china.
- Build in wash basin without pedestal. Fixation support not included. Three available systems: fixed support (NOFER 303^a), reclining support (NOFER 303B) and air-driven reclining support (NOFER 303C).
- Trap and drain valve not included. Two available options: Trap and drain valve set embedded to the wall (NOFER 302P) and trap with drain valve set at surface.
- Net weight: 18 Kg.

SUGGESTED TEXT FOR PRESCRIPTION

NOFER or similar ergonomic wash basin made of ceramics specially design for people with disabilities. Dimensions: 155 x 650 x 525 (mm).

TECHNICAL DRAWING



NOFER S.L.
 Avenida de la fama, 118
 08940 · Cornellà de Llobregat (Barcelona)
 Tel +34 934 742 423 · Fax +34 934 743 548
 export@nofer.com · www.nofer.com

Handwasher's pneumatic reclining support

- Reclining pneumatic support for ergonomic handwasher.
- Wall fixations under the handwasher.
- Suitable for ergonomic handwasher GIAMPIERI H5.



TECHNICAL DATA

- Support made of steel painted in white.
- Dimensions: 146 height x 650 width x 600 depth (mm).
- Fixations included.
- Operation: pull up the front lever to unlock the two pneumatic pistons that drive the height of the handwasher in order to adjust the handwasher to the desirable height.

SUGGESTED TEXT FOR PRESCRIPTION

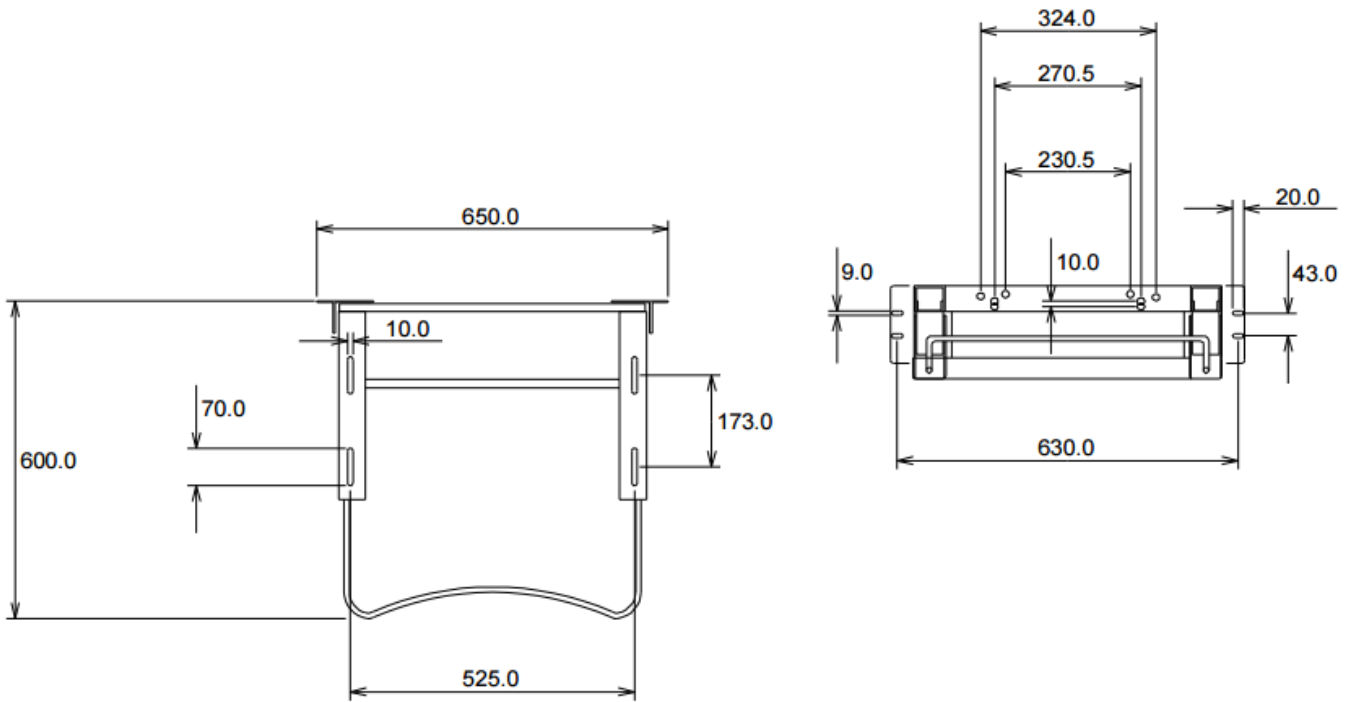
Pneumatic reclining support for handwasher GIAMPIERI or similar, made of white painted steel. Dimensions: 146 height x 650 width x 600 depth (mm).



NOFER S.L.
 Avenida de la fama, 118
 08940 · Cornellà de Llobregat (Barcelona)
 Tel +34 934 742 423 · Fax +34 934 743 548
 nofer@nofer.com · www.nofer.com

Related Products





DIMENSIONS IN mm.

Drainage set for ergonomic handwasher

- Drainage set composed by: surface siphon, flexible tube and valve.
- Suitable for ergonomic handwasher GIAMPIERI H5.



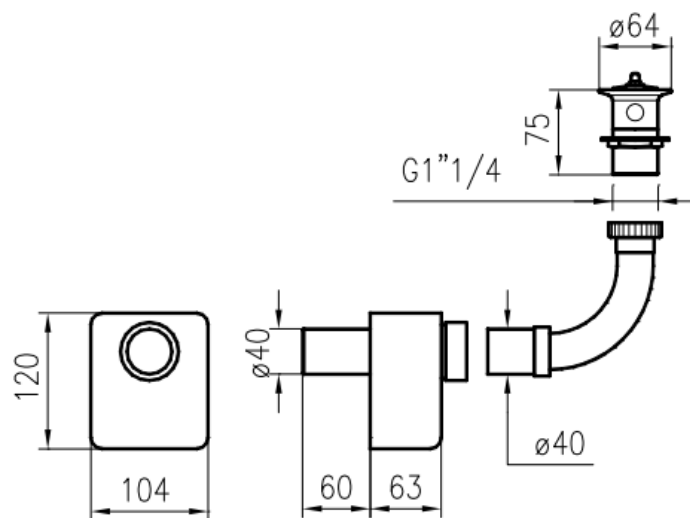
TECHNICAL DATA

- Drainage valve made of brass 1-1/4 " with stopper.
- Flexible tube 1-1/4 " x 40 mm.

SUGGESTED TEXT FOR PRESCRIPTION

Drainage set GIAMPIERI or similar, composed by: surface siphon, flexible tube and drainage valve. Suitable for ergonomic handwasher GIAMPIERI H5.

TECHNICAL DRAWING



DIMENSIONES EN mm.



NOFER S.L.
 Avenida de la fama, 118
 08940 · Cornellà de Llobregat (Barcelona)
 Tel +34 934 742 423 · Fax +34 934 743 548
 nofer@nofer.com · www.nofer.com

Related Products



302P



303B



303C



H5



H14



H12

Counter top mixer tap with lever



- Mixer tap with lever.
- To install on counter top.
- Easy to use and hygienic.
- Fixed spout.
- Durability and resistance against corrosion.
- Designed to adapted public places.
- Easy to clean.

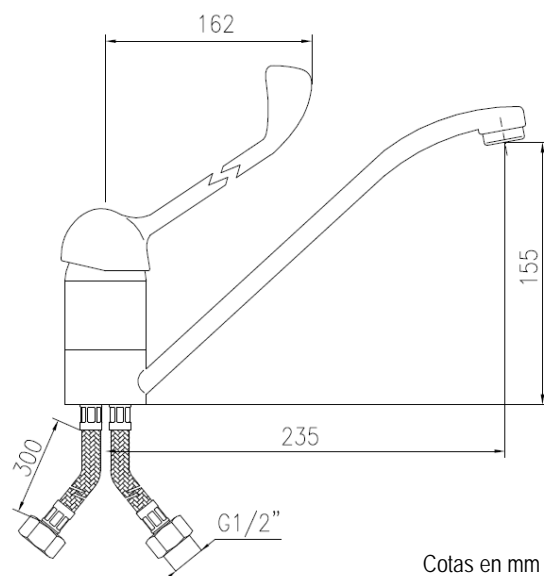
TECHNICAL DATA

- Made of chromed brass.
- Dimmensions: 290 x 250 x 50 (mm).
- Max temperature: 85°C.
- Recommended temperature: 65°C.
- Flow rate: 0,53 m³/h (at 1 bar).

SUGGESTED TEXT FOR PRESCRIPTION

NOFER or similar, mixer tap with lever. To install on countertop. Fixed spout. Dimmensions: 290 x 250 x 50 (mm).

TECHNICAL DRAWING



Cotas en mm



NOFER S.L.
 Avenida de la fama, 118
 08940 · Cornellà de Llobregat (Barcelona)
 Tel +34 934 742 423 · Fax +34 934 743 548
 export@nofer.com · www.nofer.com