



**M96A**

### General description

- Mediclinics Prima® hand dryers are thought to have a perfect balance between performances and power consumption. They are equipped with an attractive white melamine one-piece cover, which offers resistance against fire, cigarette burns, water, sunlight and organic detergents.
- These hand dryers are equipped with an induction motor, which do not require any maintenance and they are manufactured using the highest quality materials.
- Prima® hand dryers also include an electronic infrared detection sensor for hand distance detection, which is adjustable.
- Highest durability in its class, these models are ideal to be installed in washrooms with a medium/low traffic of people like for example, restaurants, theatres, offices, etc.

### Components & materials:

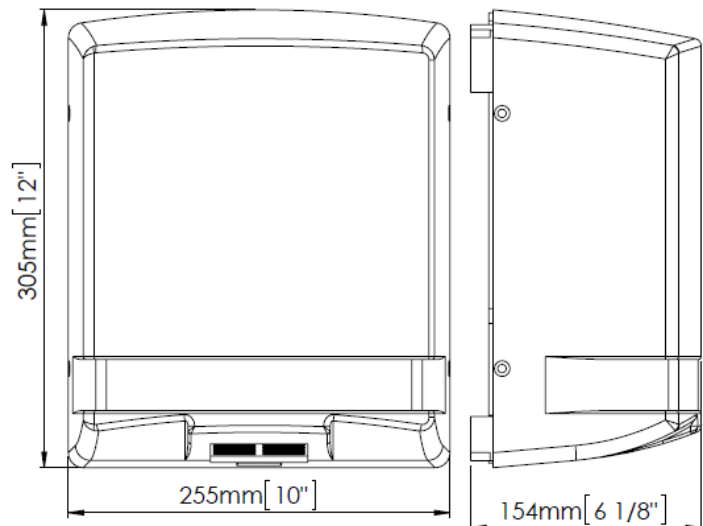
- **M96A:** White melamine one-piece cover, 4 mm thick. Cover fixed to the base by means of 4 Phillips head screws.
- Thermoplastic ABS-V0 base plate, with 4 Ø 8 mm holes for wall mounting.
- Induction motor, 2.800 rpm, maintenance-free and high durability, incorporates a safety thermal cut-off.
- Waved wire Ni-Cr heating element that incorporates a safety thermal cut-off.
- Fire resistant plastic PP-V0 with single inlet fan wheel.
- Fully adjustable (5-25 cm) IR electronic detection sensor by means of a potentiometer that it shall automatically turn off two seconds after hands are removed.
- Stainless steel air outlet grill.

### Technical Specifications:

<b>Voltage</b>	220- 240 V
<b>Frequency</b>	50/60 Hz
<b>Electrical Isolation</b>	Class II
<b>Total power</b>	1,650 W
<b>Consumption</b>	7 A
<b>Motor power</b>	140 W
<b>Rpm</b>	2,800
<b>Heating element power</b>	1,500 W
<b>Dimensions</b>	305x255x154 mm.
<b>Weight</b>	3.5 Kg
<b>Cover thickness</b>	3 mm
<b>Drying time</b>	45 sec.
<b>Effective airflow</b>	253 m <sup>3</sup> /h (4,225 L/min)
<b>Air velocity</b>	53 Km/h
<b>Air temperature (10 cm distance/21°C)</b>	50 °C
<b>Sound pressure (*) (at 2m)</b>	57 dBA
<b>Protection rating</b>	IP23

(\*) According to UNE EN ISO 11201:2010 V2 standard.

### Dimensions:



Dim. ± 4%

---

## Operation

---

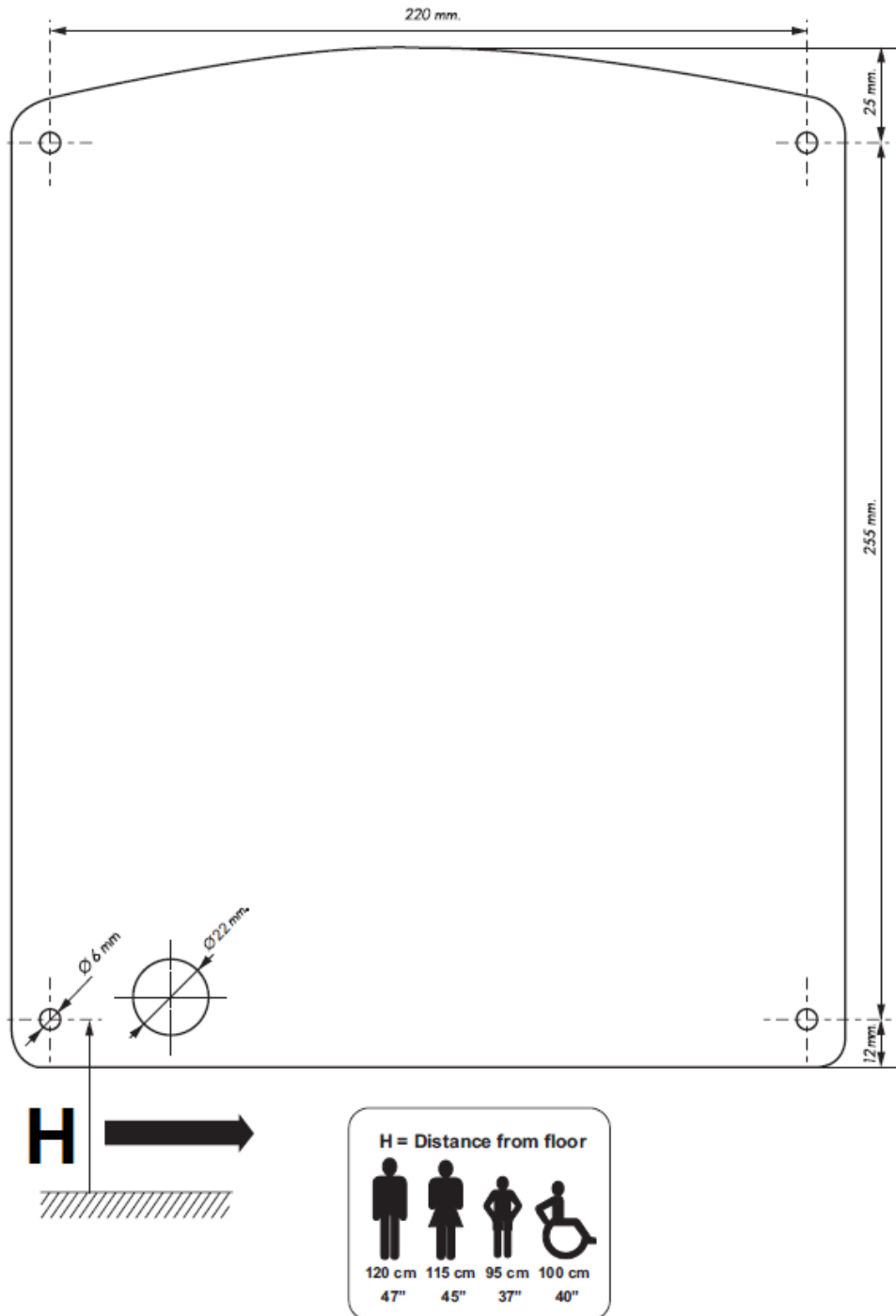
Place the hands under the air outlet. The dryer will start automatically, and go on with no interruption as long as the hands are kept in the detection range of the sensor. The appliance will stop 2 seconds after the hands are removed from the airflow.

---

## Mounting

## Recommended heights distance from the floor

---



---

## Certificates & Qualifications

---

